



US0D1050085S

(12) **United States Design Patent**
Diodati et al.

(10) **Patent No.:** **US D1,050,085 S**

(45) **Date of Patent:** **** Nov. 5, 2024**

(54) **PAIR OF EARPLUGS**

DESCRIPTION

(71) Applicant: **Cannolo LLC**, Jackson, WY (US)

(72) Inventors: **Beniamino Diodati**, Spoltore (IT);
Erion Domi, Tirana (AL)

(**) Term: **15 Years**

(21) Appl. No.: **29/925,739**

(22) Filed: **Jan. 25, 2024**

(51) **LOC (14) Cl.** **14-01**

(52) **U.S. Cl.**
USPC **D14/223; D14/205**

(58) **Field of Classification Search**
USPC D14/205, 223; 381/380–381, 322, 328
(Continued)

(56) **References Cited**

U.S. PATENT DOCUMENTS

D176,810 S * 1/1956 Norris D24/174
D177,346 S * 4/1956 Norris D24/174
(Continued)

FOREIGN PATENT DOCUMENTS

CN 307543541 * 9/2022
HK 20118665-0001 * 9/2021
JP D1757117 * 10/2023

OTHER PUBLICATIONS

https://www.amazon.com/SOFTBLISS-Reduction-Protection-Sensitivity-LightGreen/dp/BOCTHPB629/ref=sr_1_295_sspa?dib=eyJ2ljojMSJ9.OjREI1>first available from Amazon Jan. 29, 2024 (Year: 2024).*

Primary Examiner — Paula Allen Greene

(57) **CLAIM**

The ornamental design for a pair of earplugs as shown and described.

FIG. 1 is a first perspective view of a first embodiment of a pair of earplugs showing our new design;
FIG. 2 is a left-side view thereof;
FIG. 3 is a right-side view thereof;
FIG. 4 is a back view thereof;
FIG. 5 is a front view thereof;
FIG. 6 is a top view thereof;
FIG. 7 is a bottom view thereof;
FIG. 8 is a second perspective view thereof;
FIG. 9 is a first perspective view of a second embodiment of a pair of earplugs showing our new design;
FIG. 10 is a left-side view thereof;
FIG. 11 is a right-side view thereof;
FIG. 12 is a back view thereof;
FIG. 13 is a front view thereof;
FIG. 14 is a top view thereof;
FIG. 15 is a bottom view thereof;
FIG. 16 is a second perspective view thereof;
FIG. 17 is a first perspective view of a third embodiment of a pair of earplugs showing our new design;
FIG. 18 is a left-side view thereof;
FIG. 19 is a right-side view thereof;
FIG. 20 is a back view thereof;
FIG. 21 is a front view thereof;
FIG. 22 is a top view thereof;
FIG. 23 is a bottom view thereof;
FIG. 24 is a second perspective view thereof;
FIG. 25 is a first perspective view of a fourth embodiment of a pair of earplugs showing our new design;
FIG. 26 is a left-side view thereof;
FIG. 27 is a right-side view thereof;
FIG. 28 is a back view thereof;
FIG. 29 is a front view thereof;
FIG. 30 is a top view thereof;
FIG. 31 is a bottom view thereof;
FIG. 32 is a second perspective view thereof;
FIG. 33 is a first perspective view of a fifth embodiment of a pair of earplugs showing our new design;
FIG. 34 is a left-side view thereof;
FIG. 35 is a right-side view thereof;
FIG. 36 is a back view thereof;
FIG. 37 is a front view thereof;

(Continued)

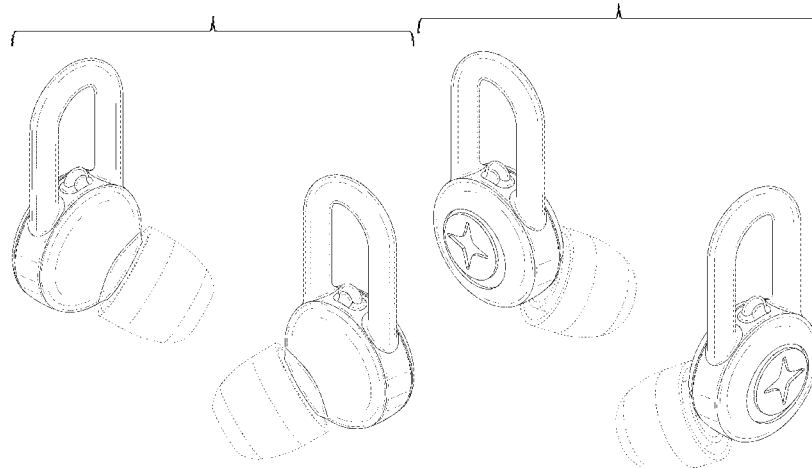


FIG. 38 is a top view thereof;
 FIG. 39 is a bottom view thereof; and,
 FIG. 40 is a second perspective view thereof.
 The broken lines in the drawings represent portions of the
 pair of earplugs that form no part of the claimed design.

1 Claim, 40 Drawing Sheets

(58) **Field of Classification Search**

CPC H04R 25/00; H04R 25/02; H04R 1/1016;
 H04R 1/1066; H04R 5/033; H04R
 5/0335; H04R 1/1091; H04R 1/10
 See application file for complete search history.

(56) **References Cited**

U.S. PATENT DOCUMENTS

D350,961 S * 9/1994 Nakamura D14/223
 D388,093 S * 12/1997 Frengley D14/223
 D464,638 S * 10/2002 Huang D14/205
 D469,755 S * 2/2003 Hlas D14/223
 D470,122 S * 2/2003 Hlas D14/205
 D470,123 S * 2/2003 Hlas D14/205
 D470,128 S * 2/2003 Hlas D14/223
 6,558,022 B2 * 5/2003 Kawahara F21V 5/04
 446/485
 D529,901 S * 10/2006 Ohta D14/223
 D549,222 S * 8/2007 Huang
 D574,368 S * 8/2008 Chapman D14/223
 D581,900 S * 12/2008 Caddes D14/206

D617,316 S * 6/2010 Elabidi D14/223
 D619,566 S * 7/2010 Yu D14/223
 D621,817 S * 8/2010 Brickstad D14/223
 D622,704 S * 8/2010 Fahrendorff D14/223
 D622,705 S * 8/2010 Fahrendorff D14/223
 7,778,435 B2 * 8/2010 Smith H04M 1/05
 381/328
 D628,188 S * 11/2010 Koch D14/205
 D628,194 S * 11/2010 Koch D14/223
 D628,990 S * 12/2010 Pedersen D14/223
 D638,398 S * 5/2011 Morison D14/205
 7,949,127 B2 * 5/2011 Pedersen H04R 1/1066
 379/430
 D655,693 S * 3/2012 Silvestri D14/223
 D664,124 S * 7/2012 Smith D14/223
 D681,602 S * 5/2013 Koch D14/205
 D699,215 S * 2/2014 Koch D14/205
 D716,770 S * 11/2014 Bonahoom D14/223
 D733,101 S * 6/2015 Pi et al.
 D735,698 S * 8/2015 Karrman D14/223
 D742,362 S * 11/2015 Bonahoom D14/223
 D835,077 S * 12/2018 Aoyagi D14/223
 D843,352 S * 3/2019 Lee D14/223
 D866,532 S * 11/2019 Zhang D14/223
 D875,710 S * 2/2020 Bailey et al.
 D881,849 S * 4/2020 Aoyagi D14/223
 D908,114 S * 1/2021 Jung et al.
 D937,246 S * 11/2021 Li
 D967,065 S * 10/2022 Ren D14/223
 D993,940 S * 8/2023 Rong D14/223
 2003/0196850 A1 * 10/2003 Dyer H04R 25/652
 181/135
 2011/0255729 A1 * 10/2011 Tan H04R 1/1016
 381/380

* cited by examiner

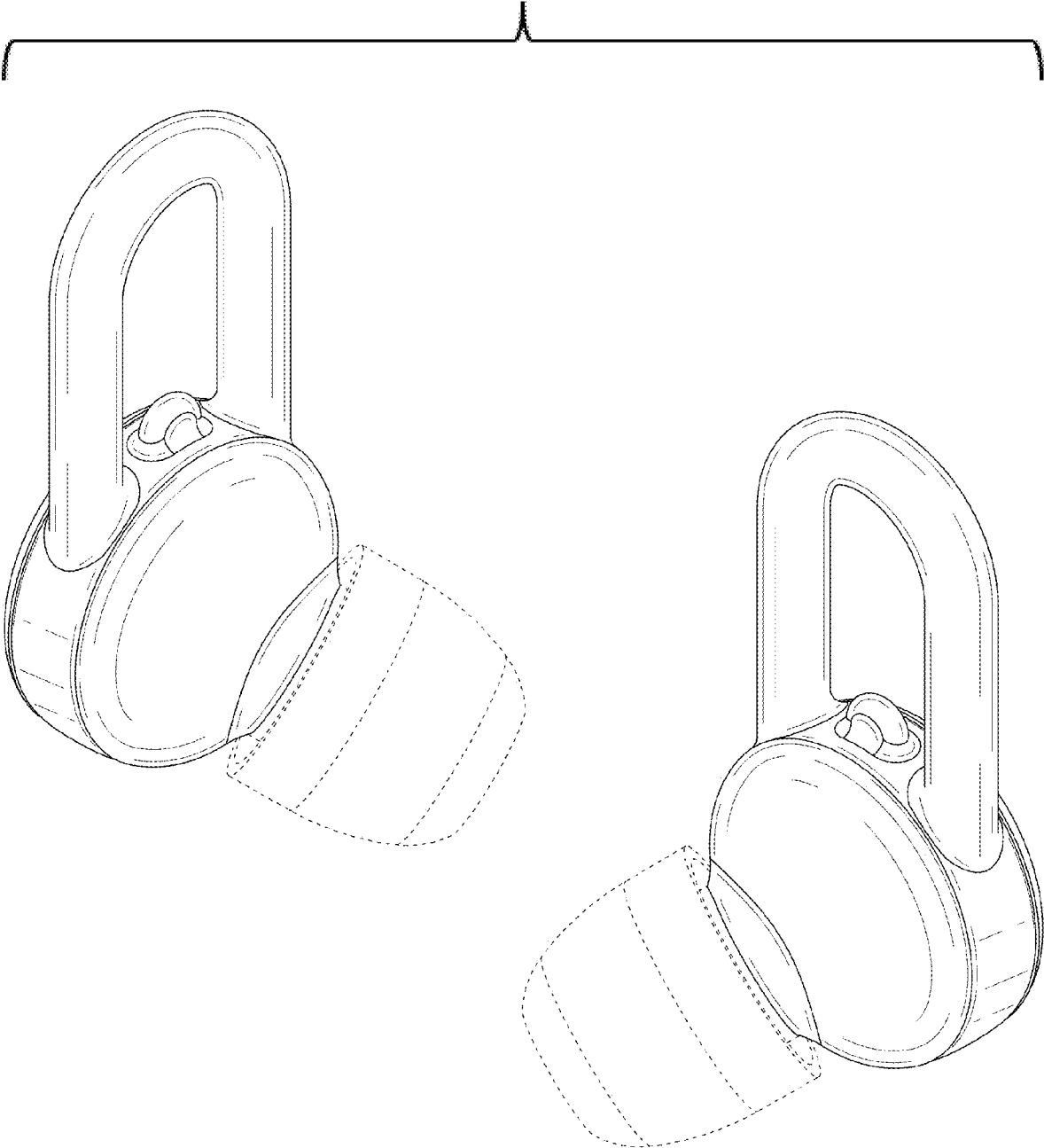


FIG. 1

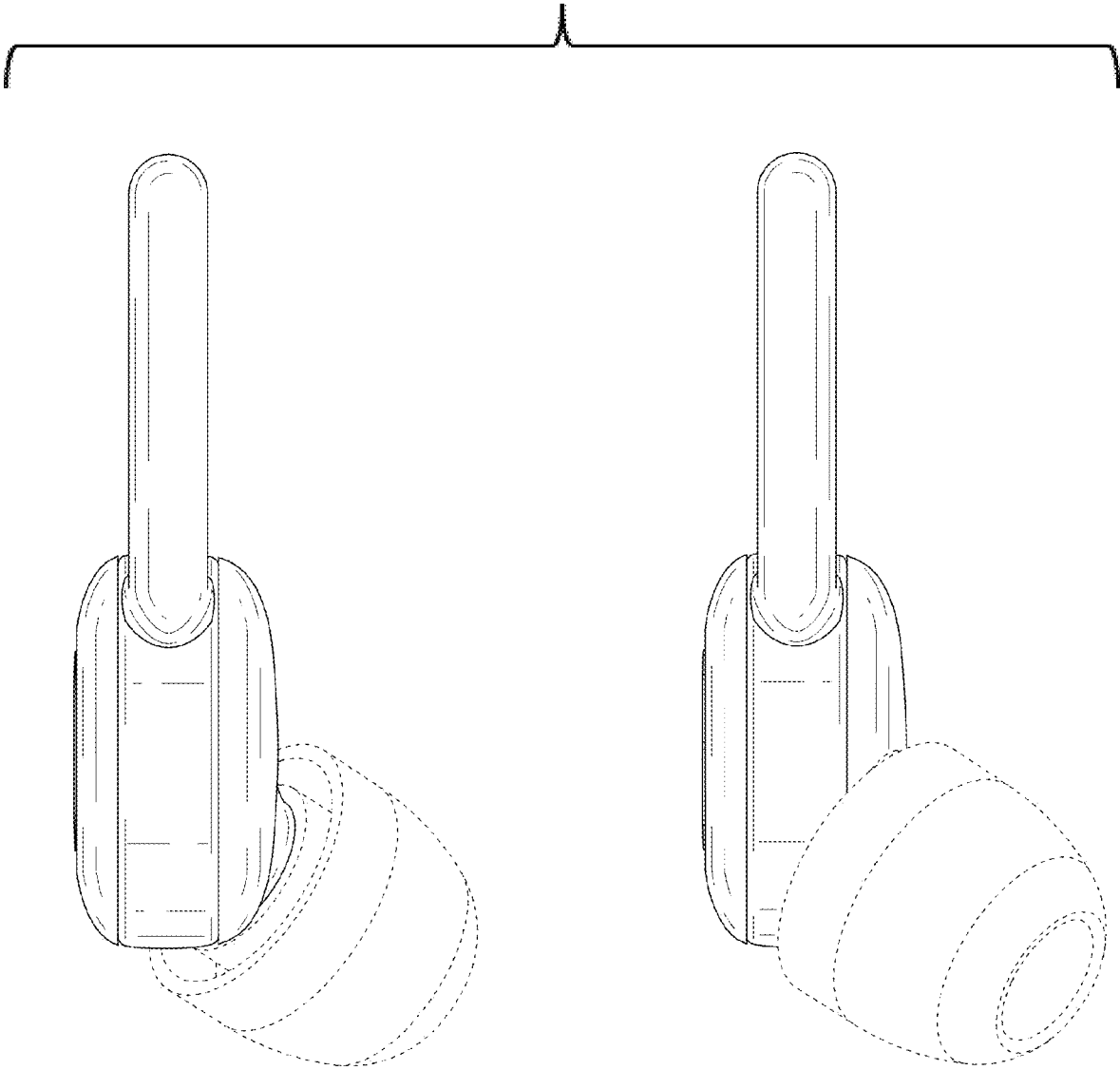


FIG. 2

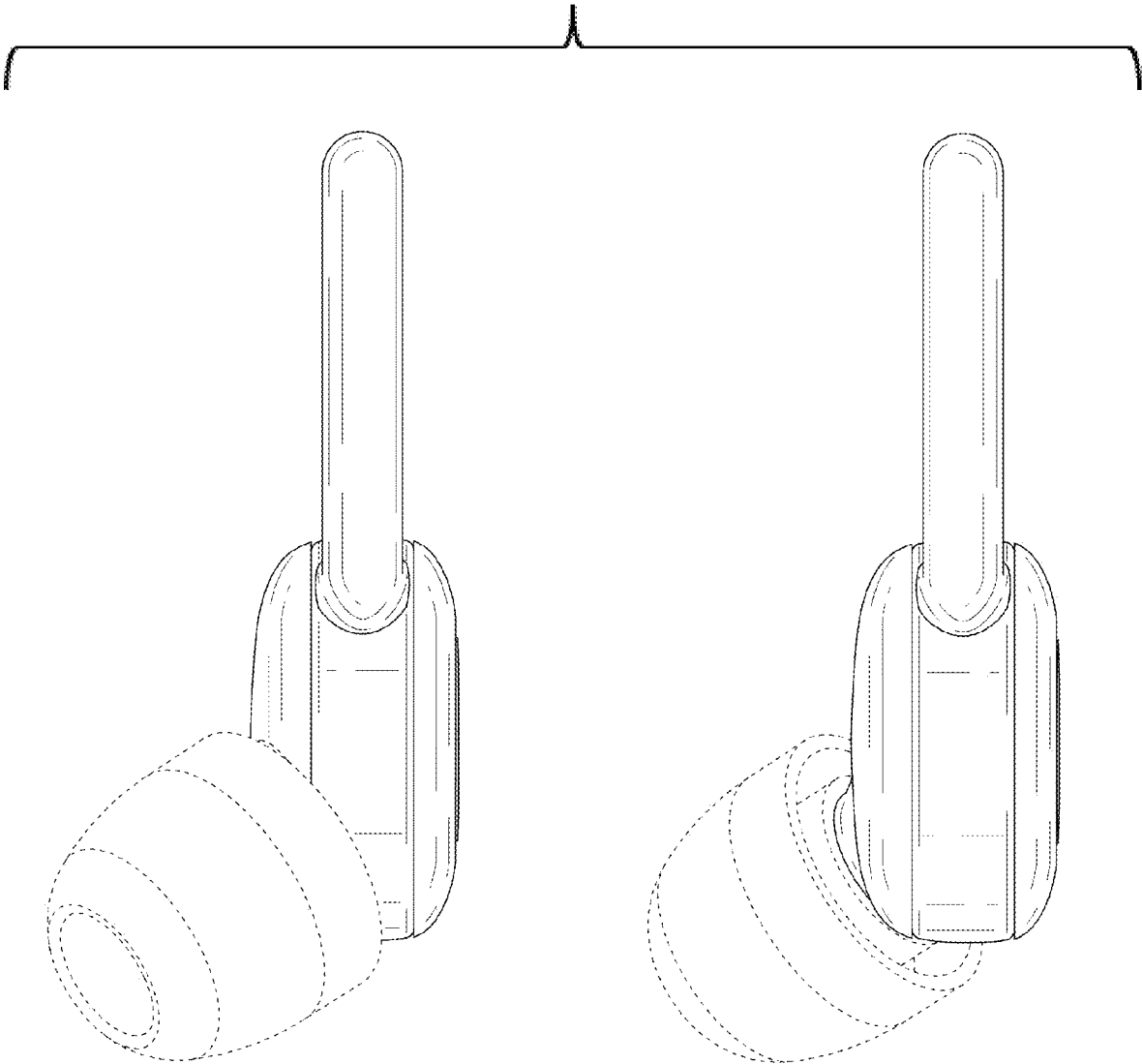


FIG. 3

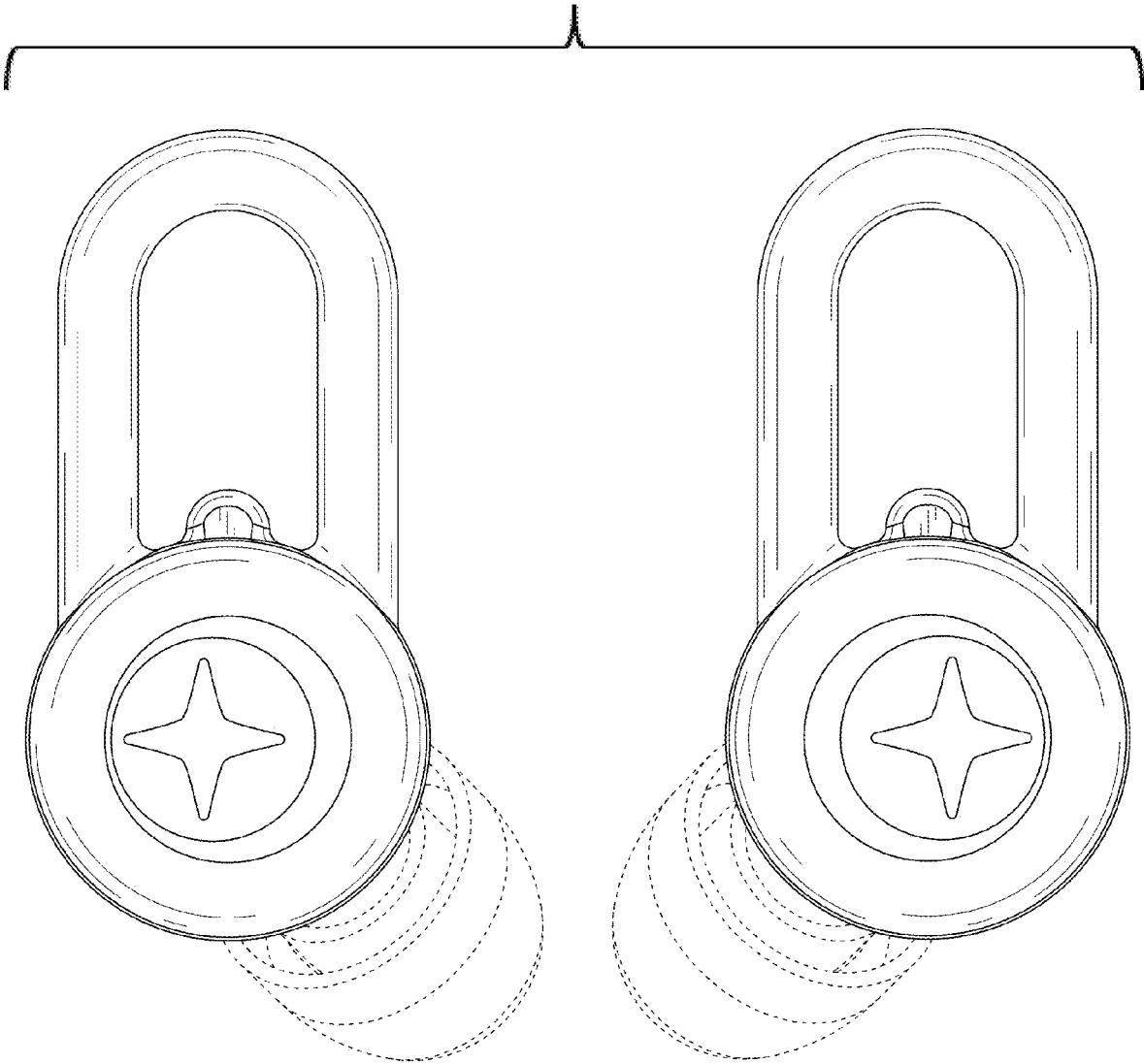


FIG. 4

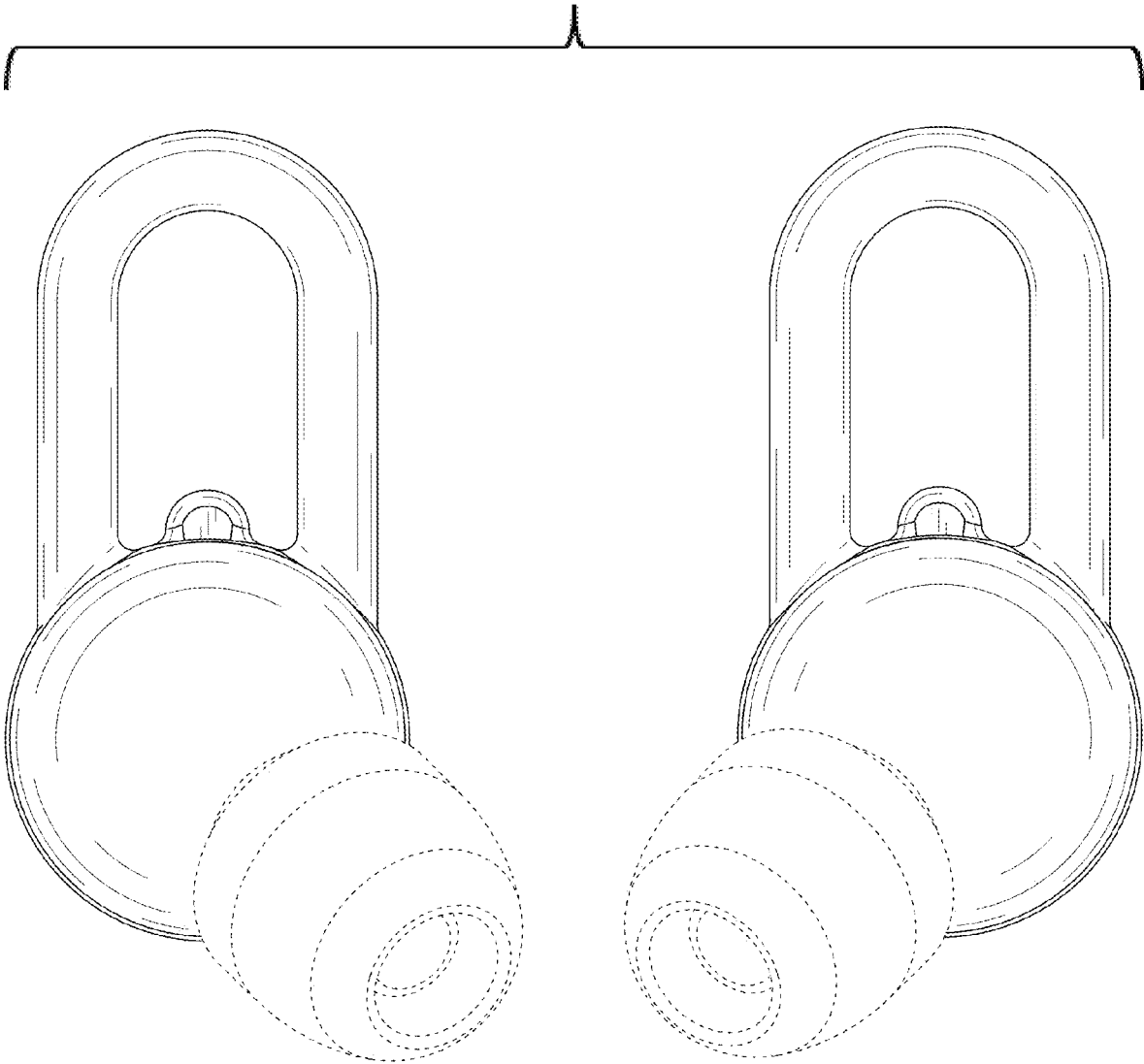


FIG. 5

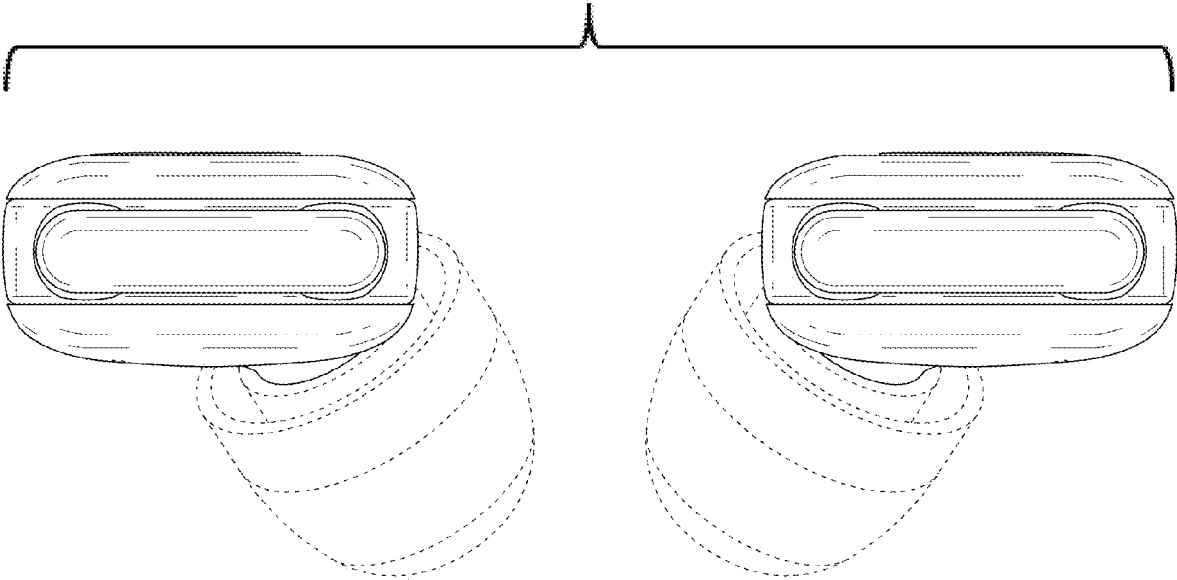


FIG. 6

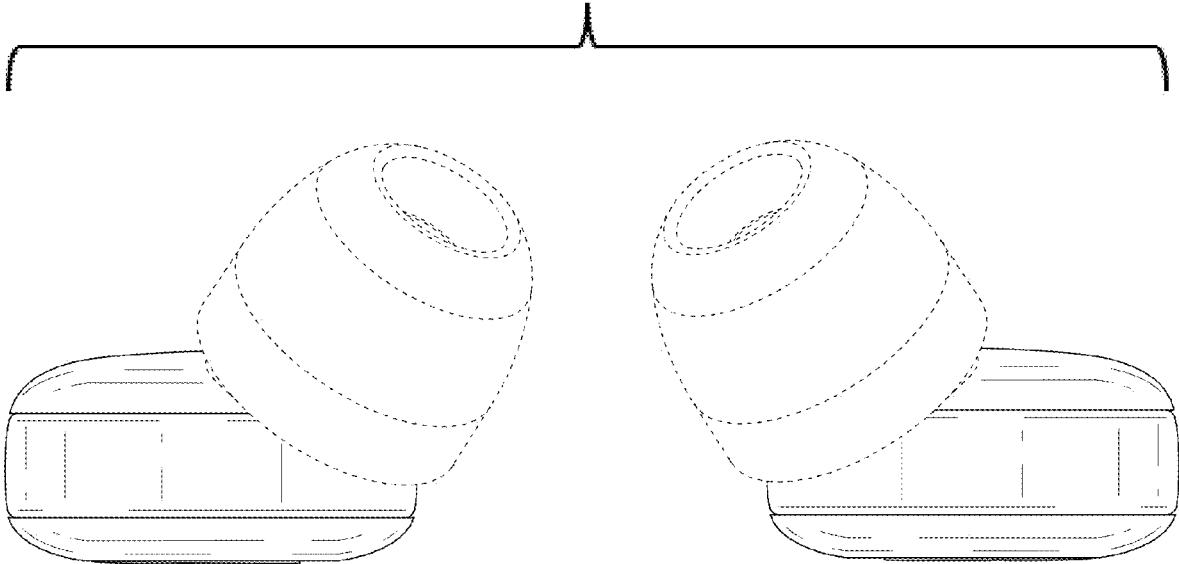


FIG. 7

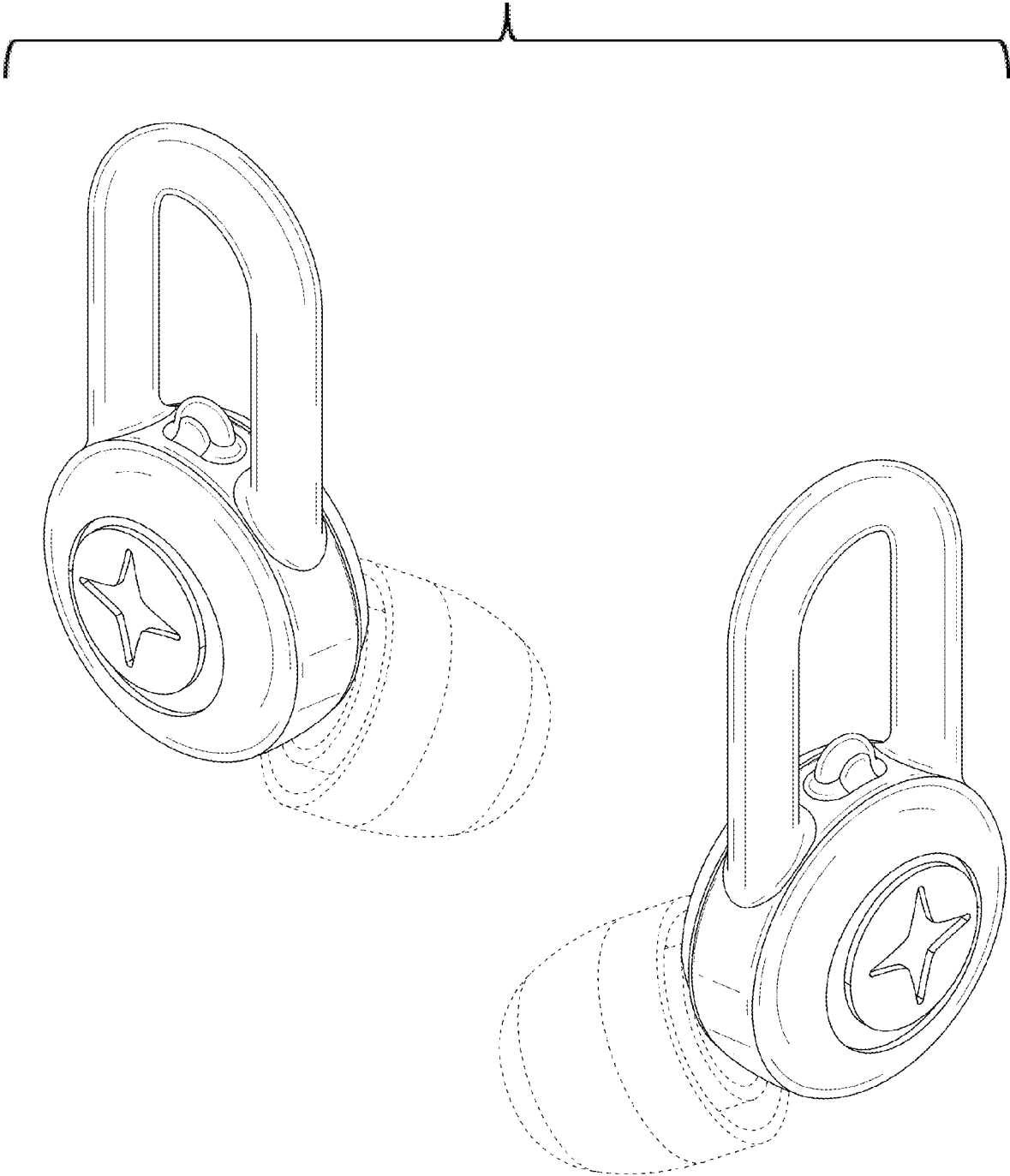


FIG. 8

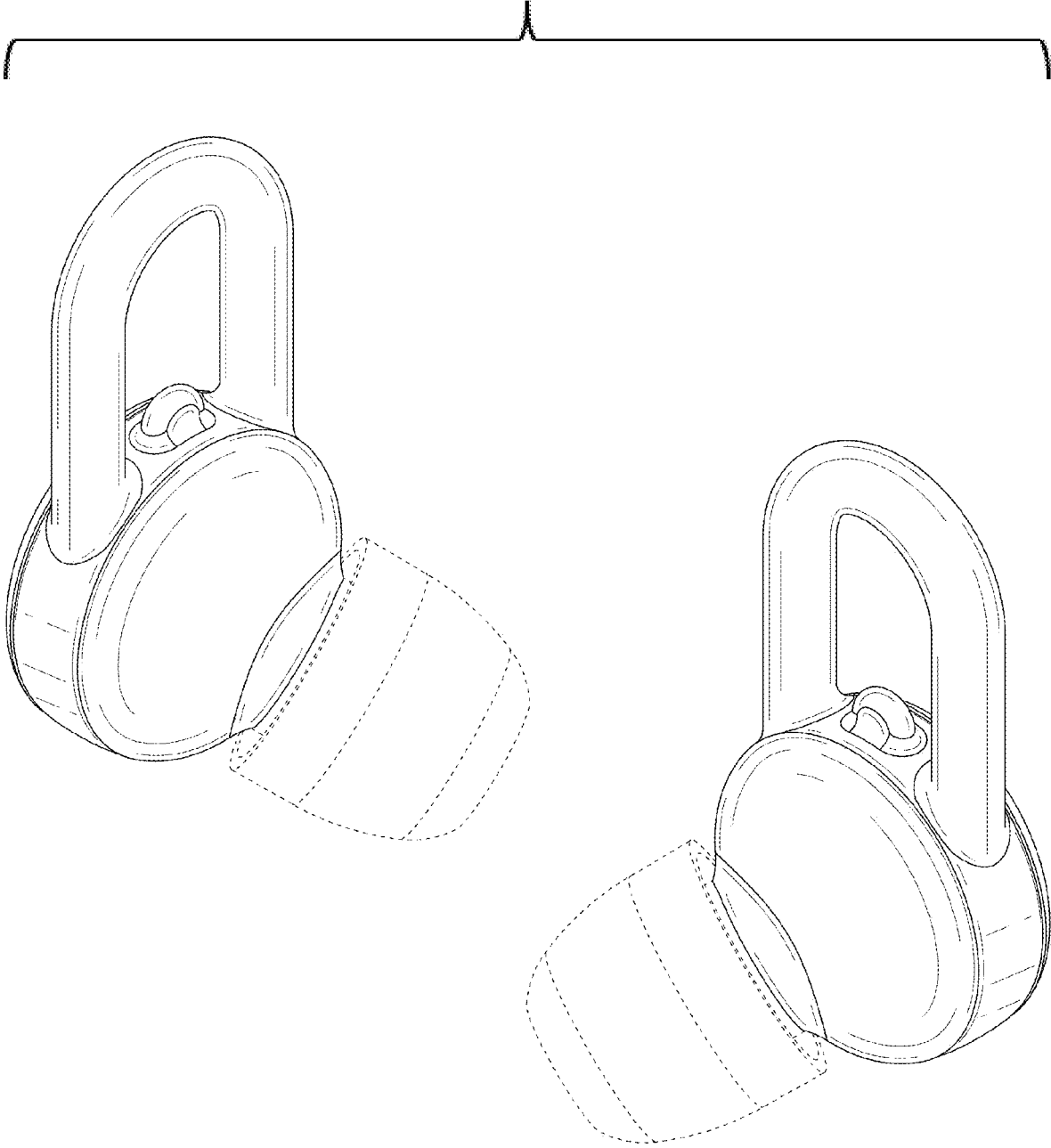


FIG. 9

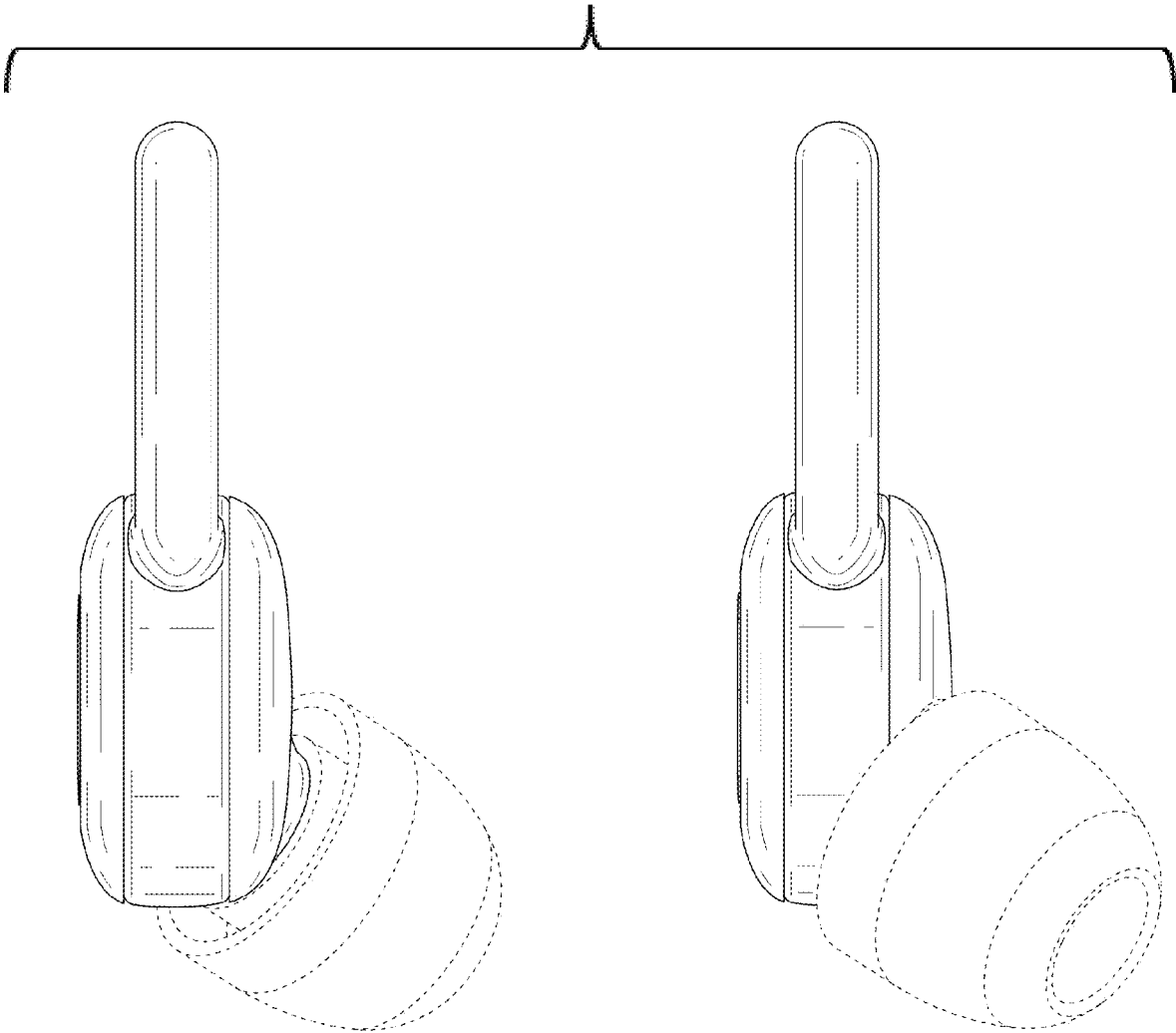


FIG. 10

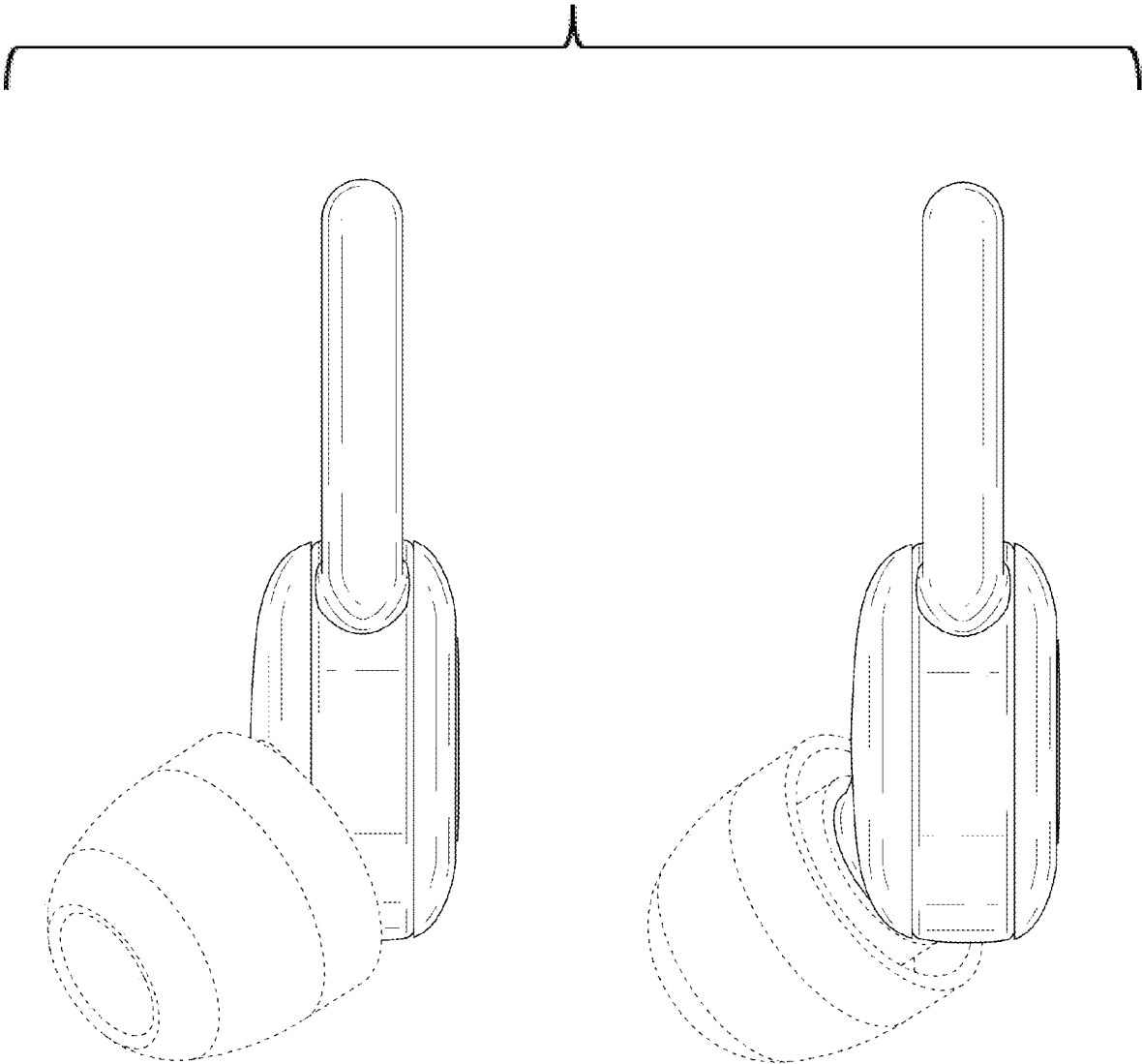


FIG. 11

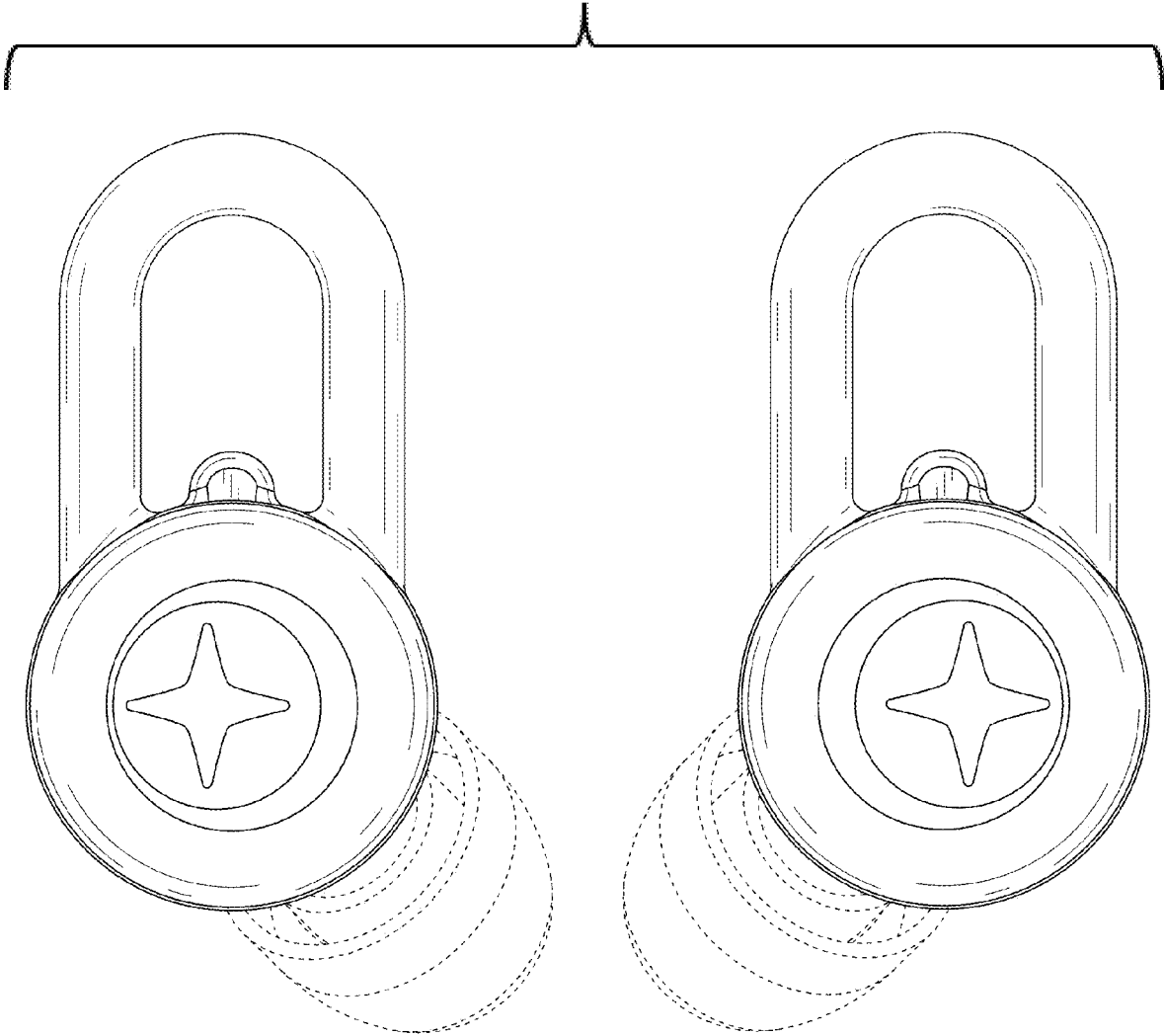


FIG. 12

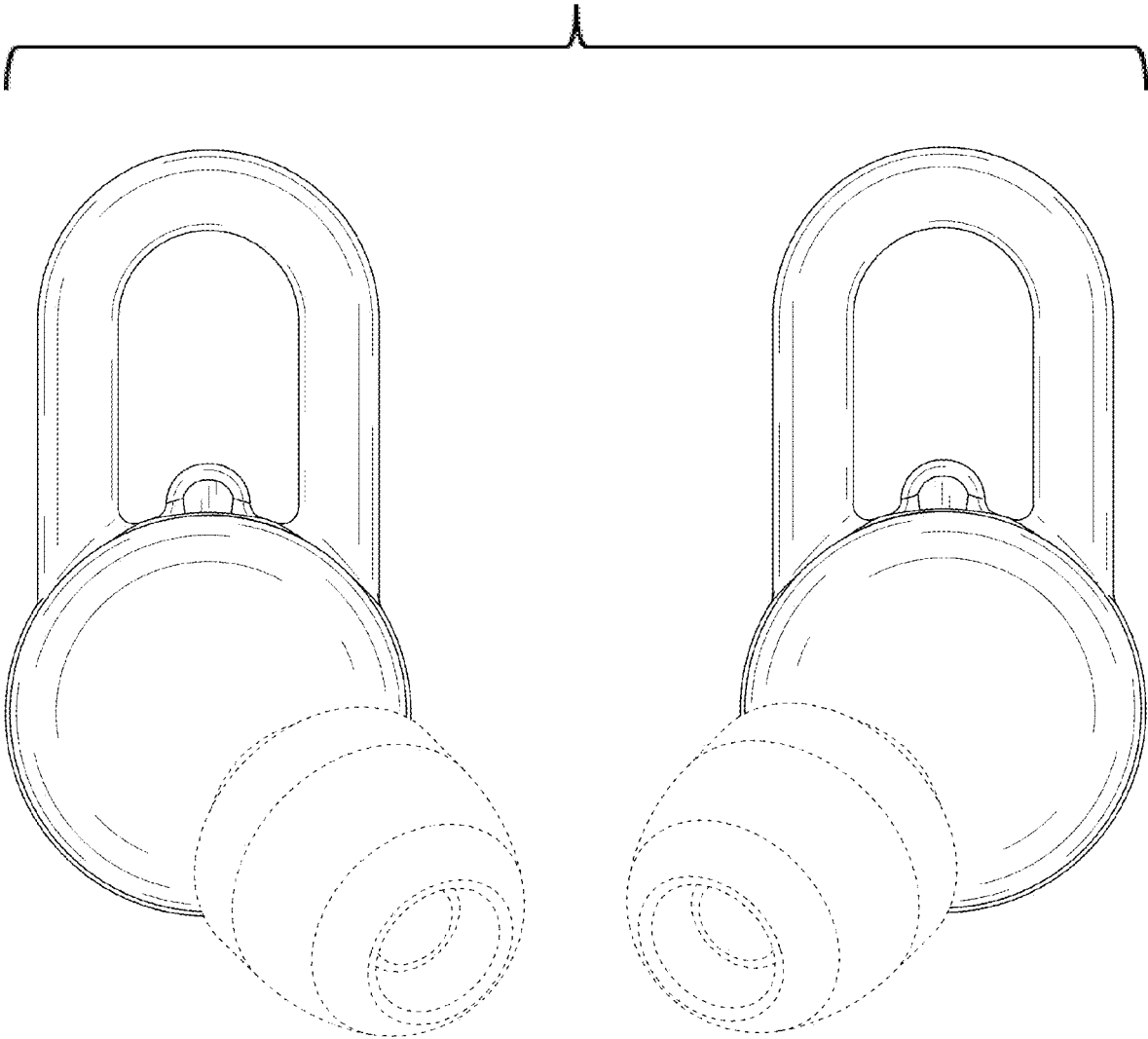


FIG. 13

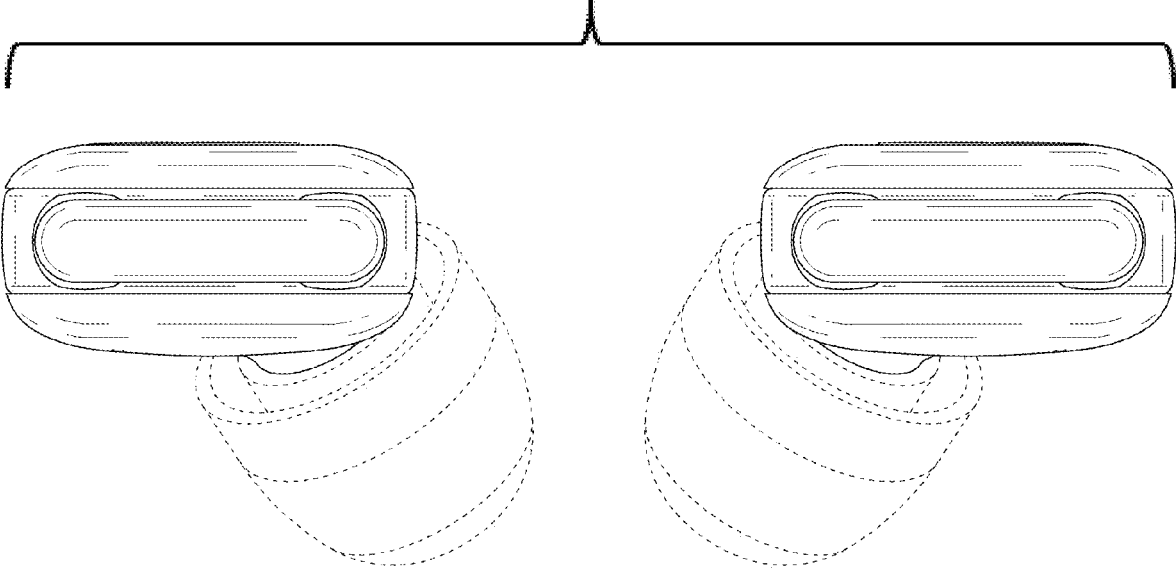


FIG. 14

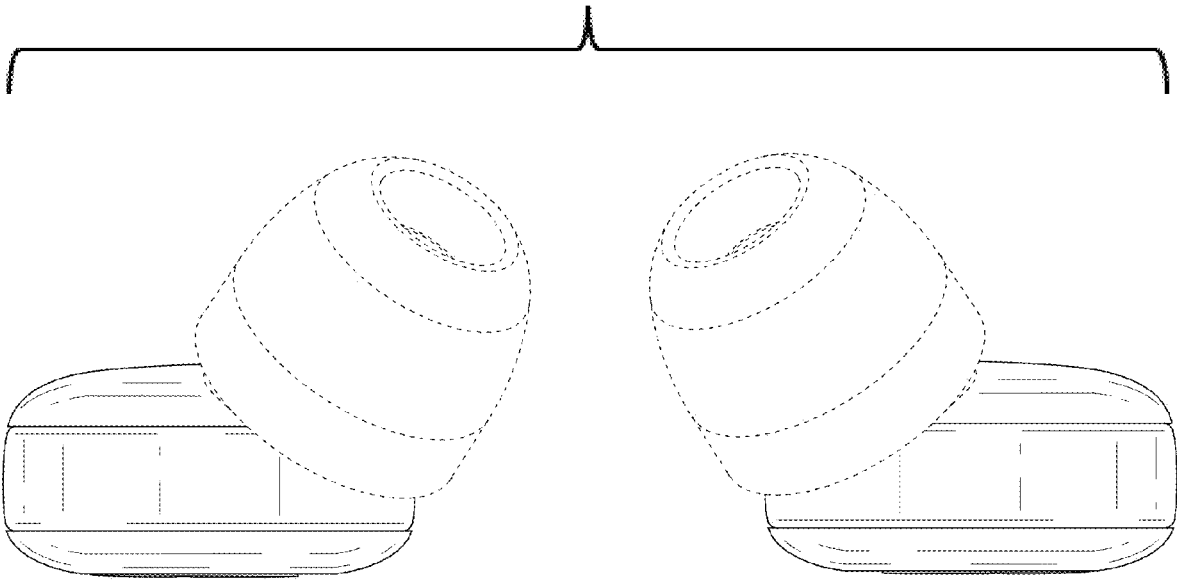


FIG. 15

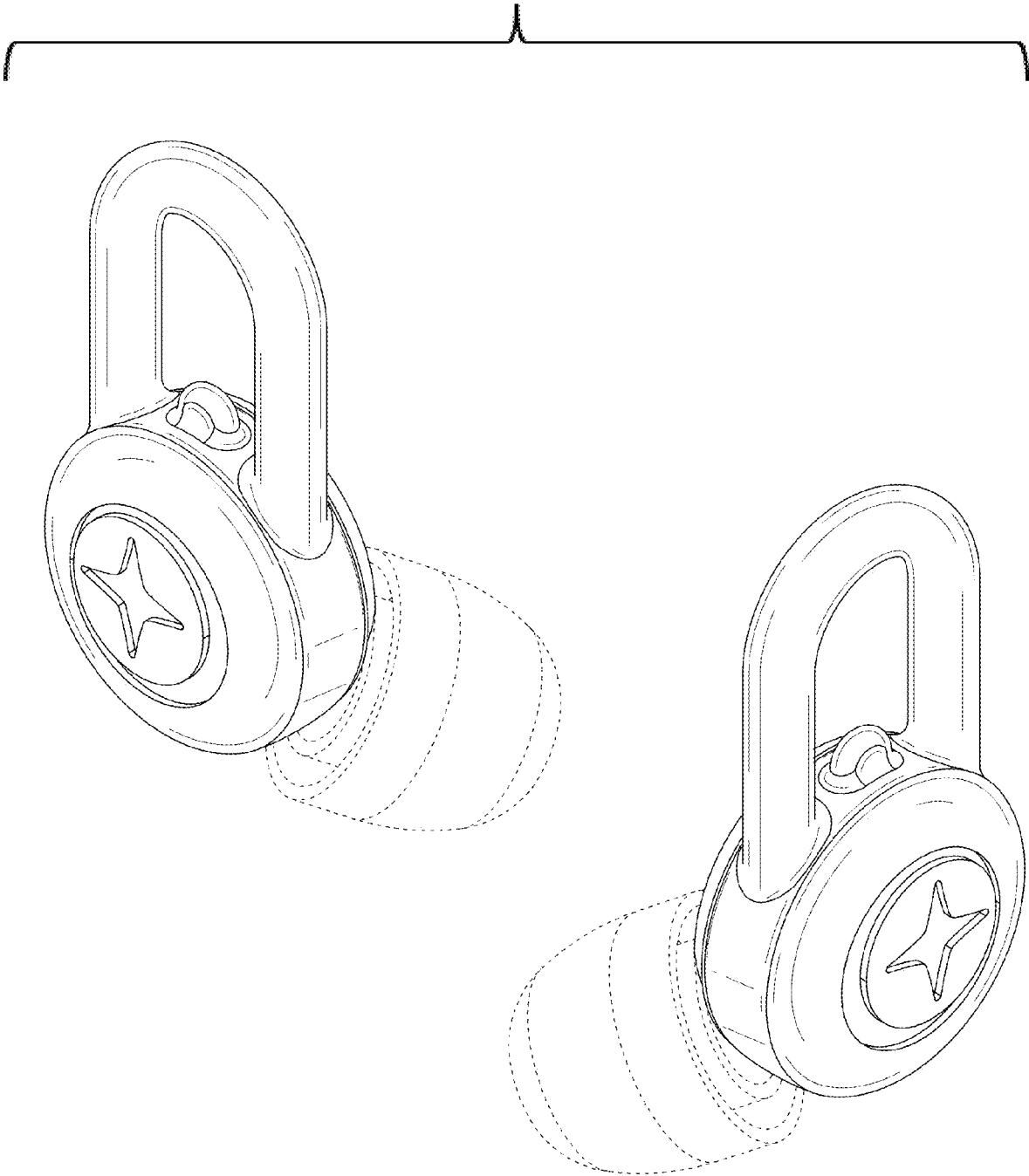


FIG. 16

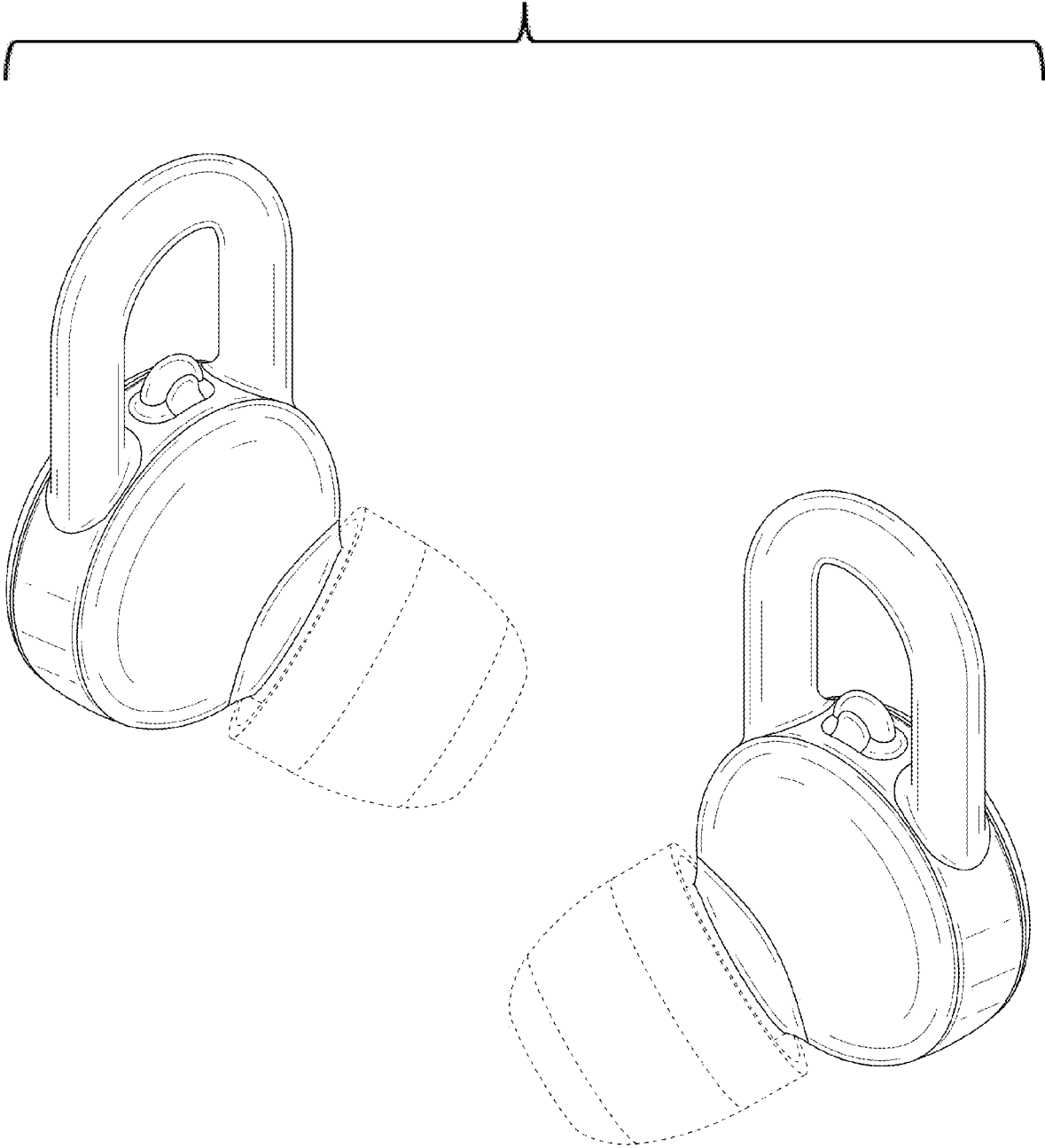


FIG. 17

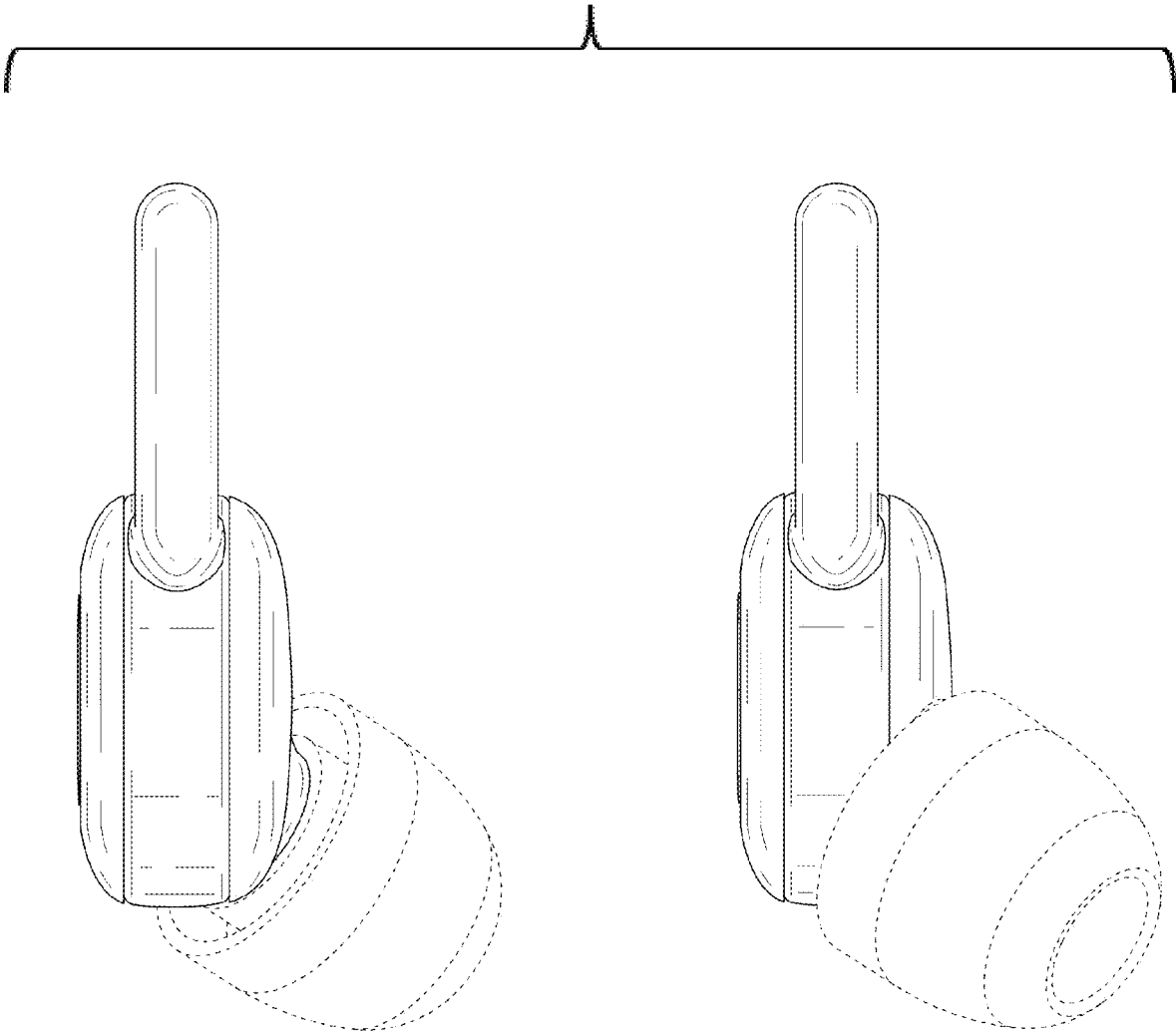


FIG. 18

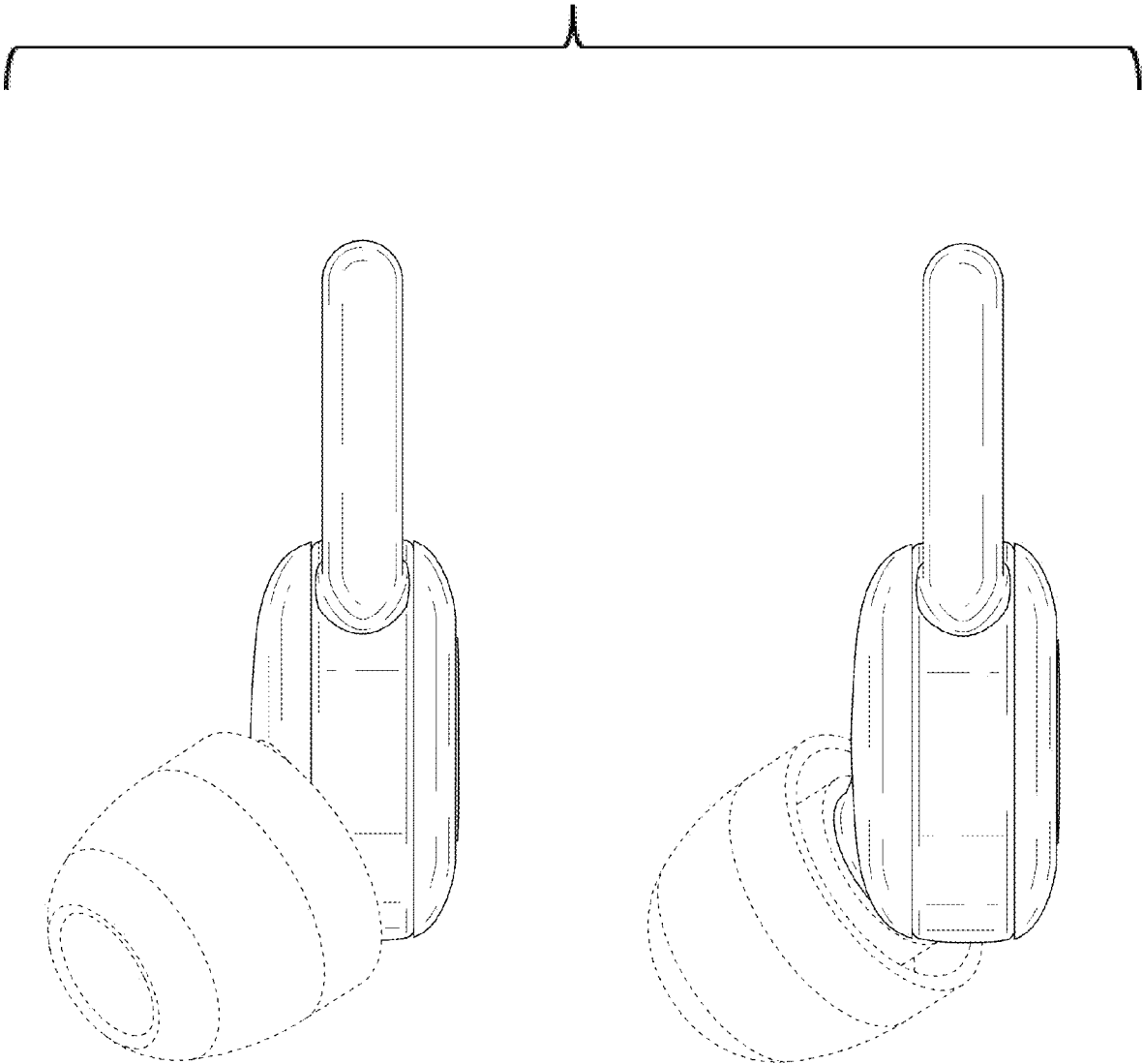


FIG. 19

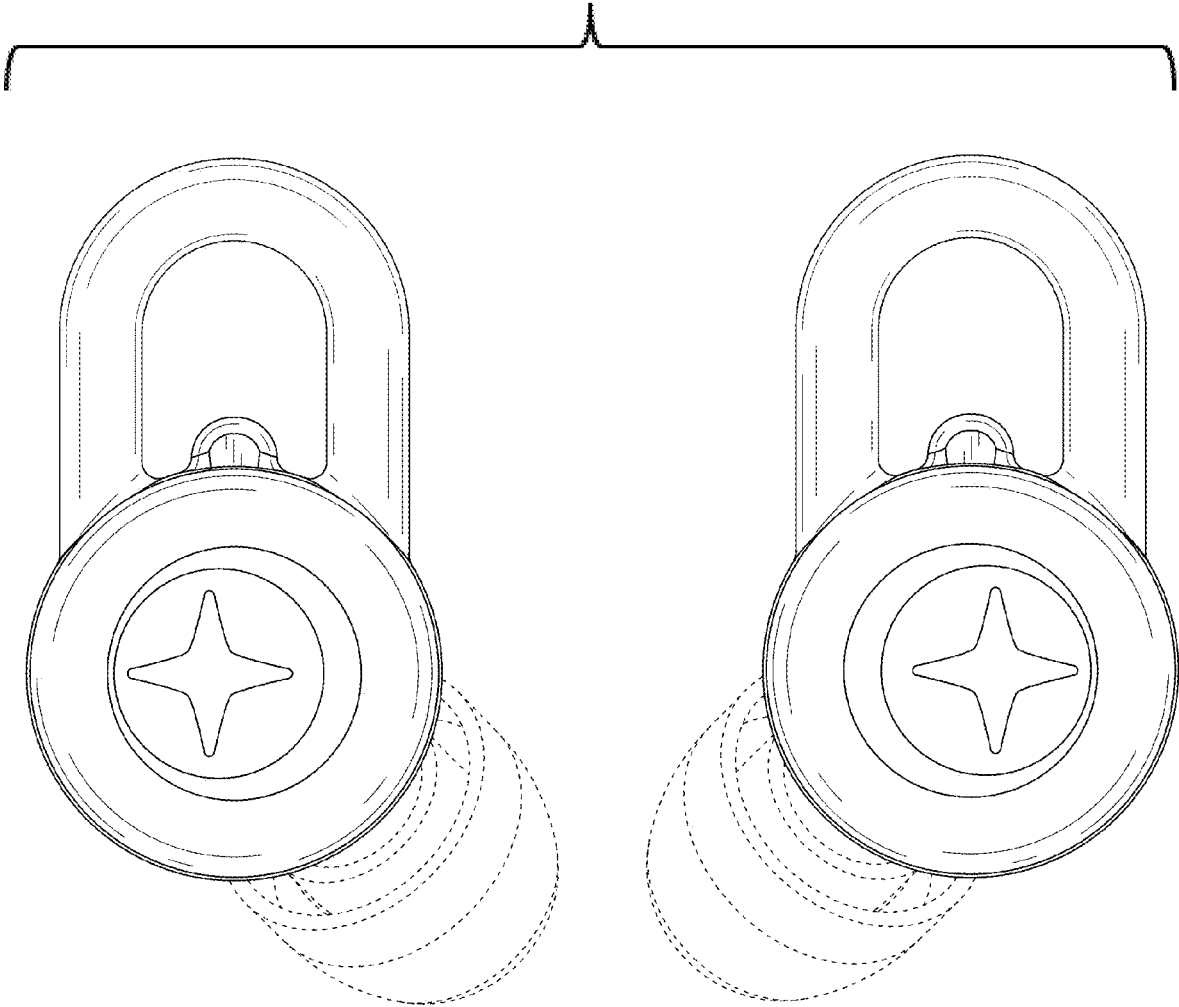


FIG. 20

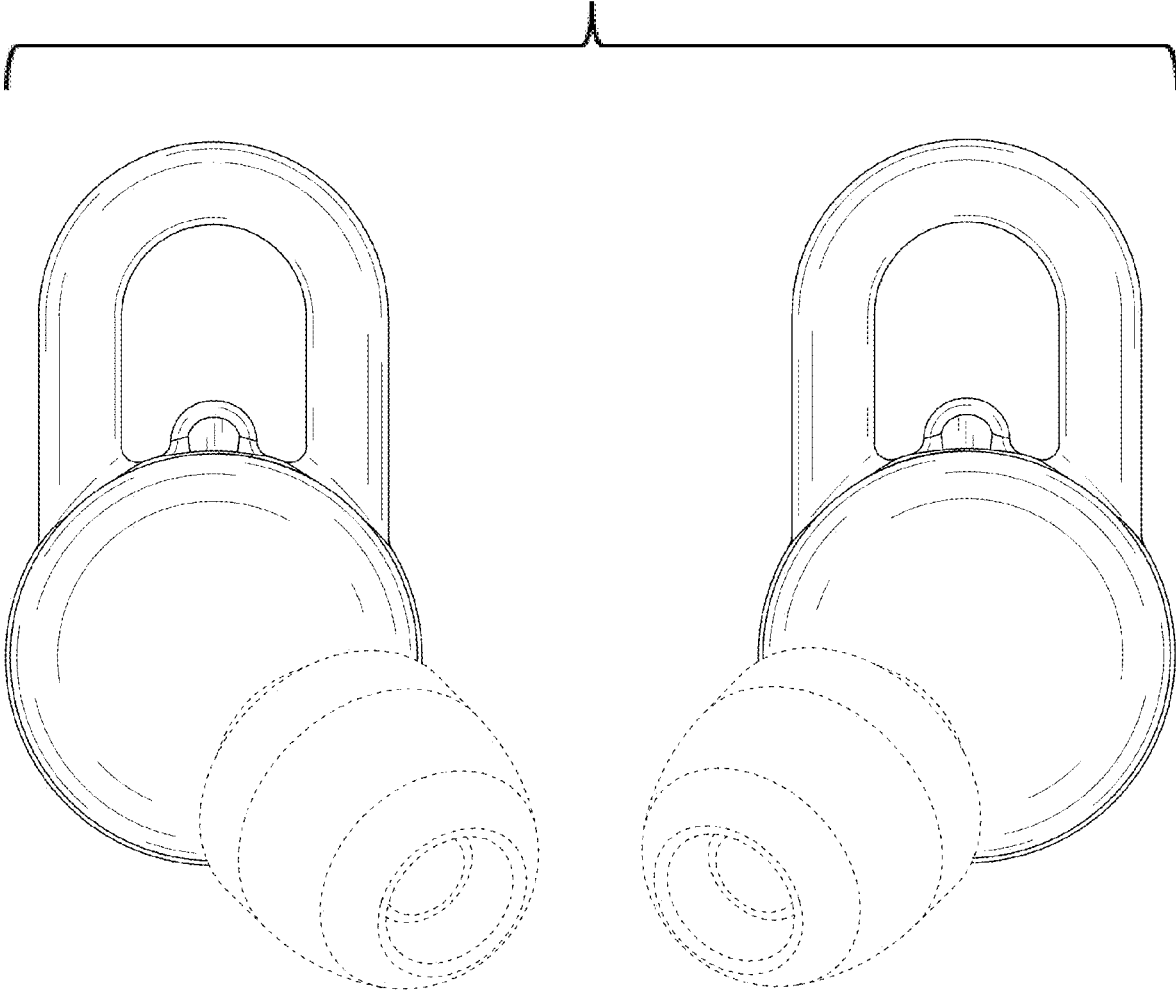


FIG. 21

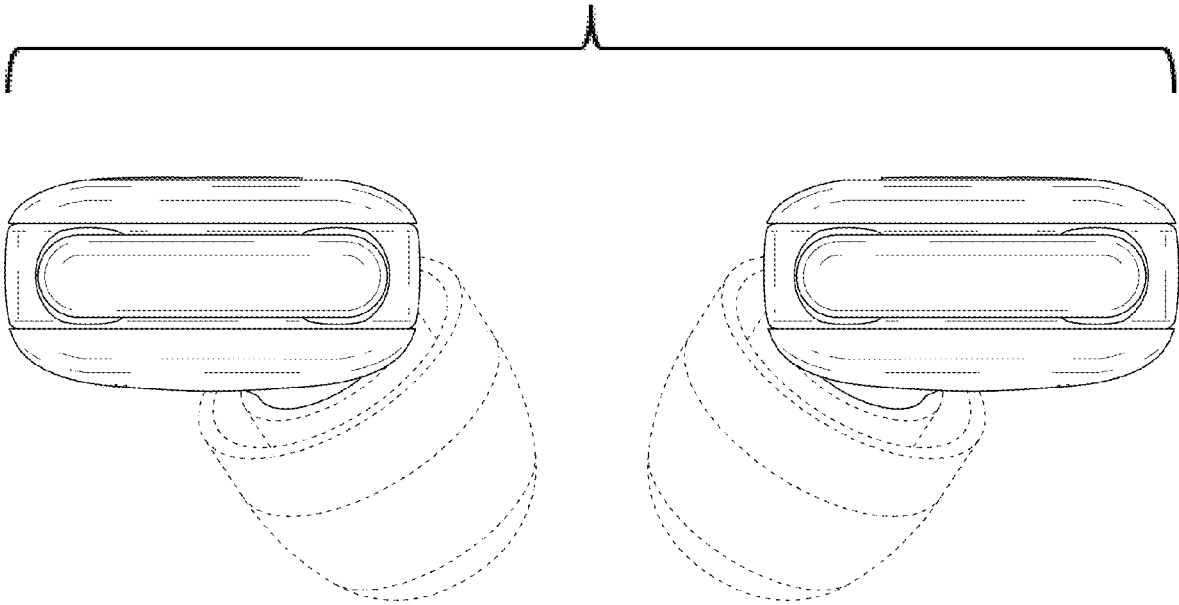


FIG. 22

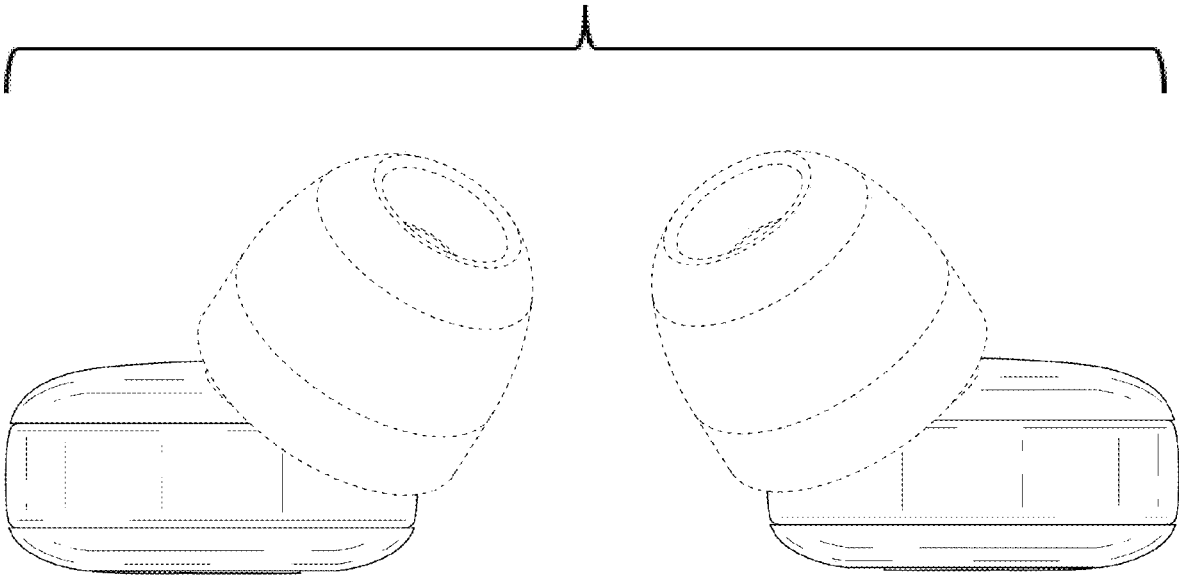


FIG. 23

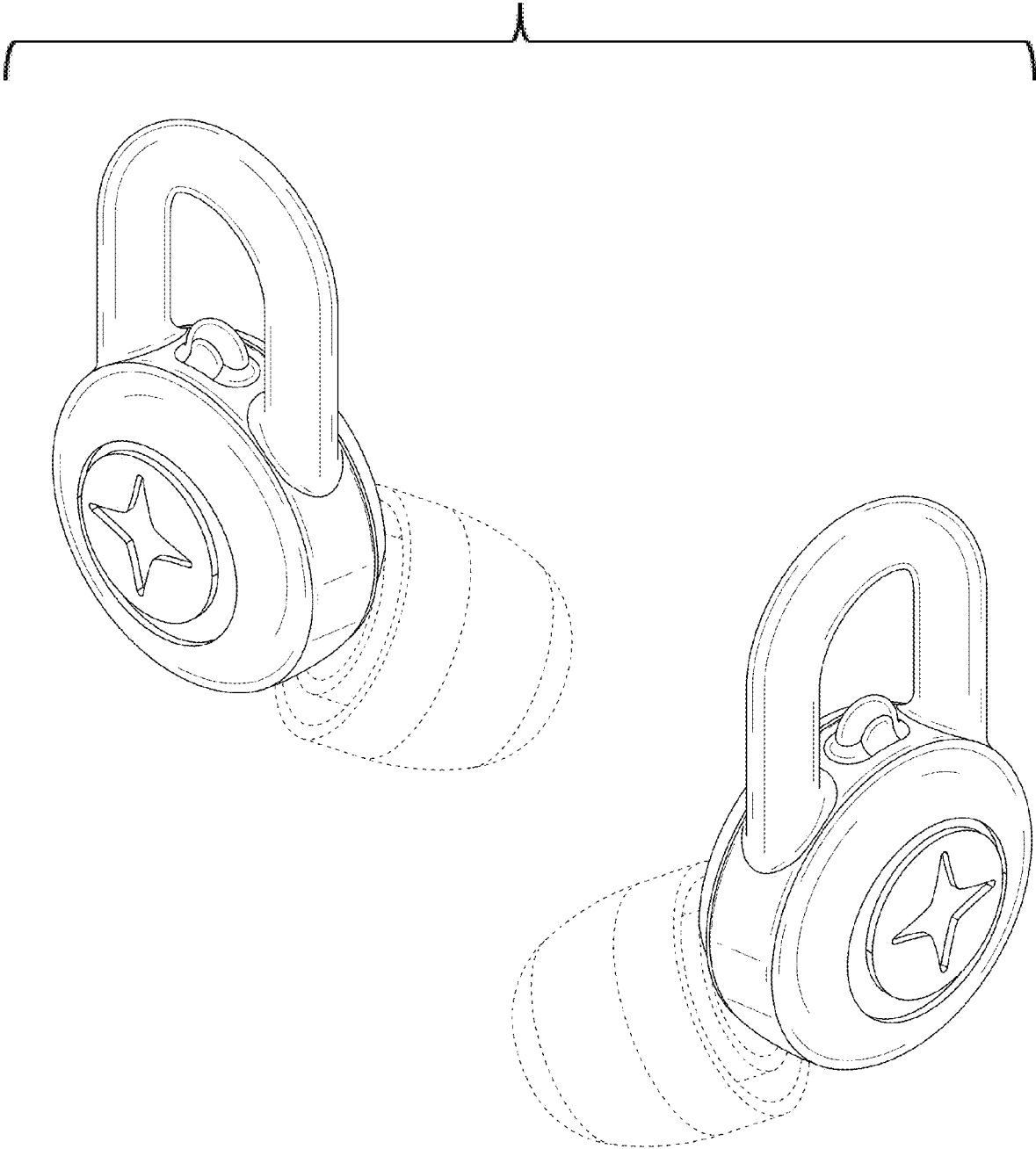


FIG. 24

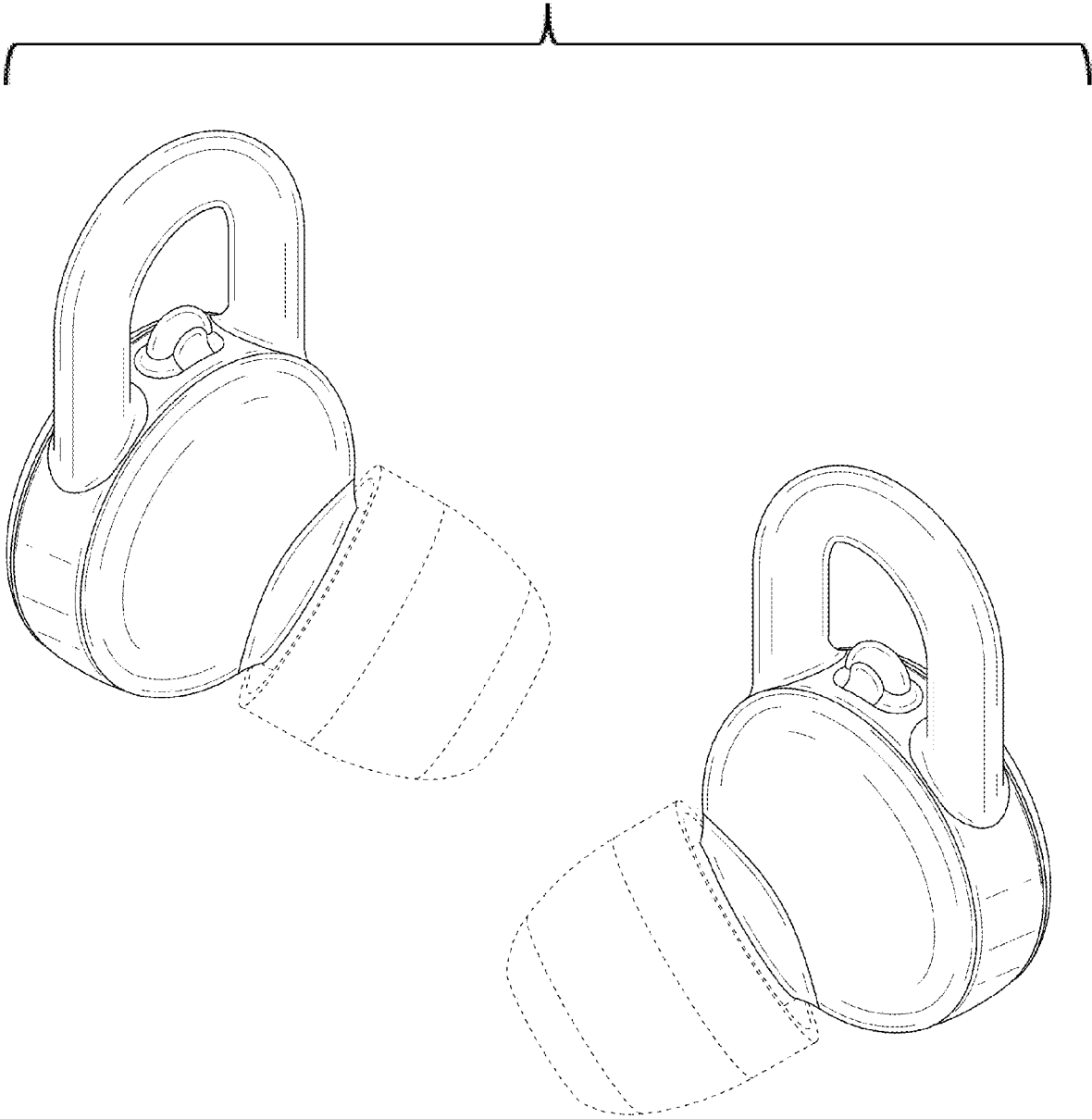


FIG. 25

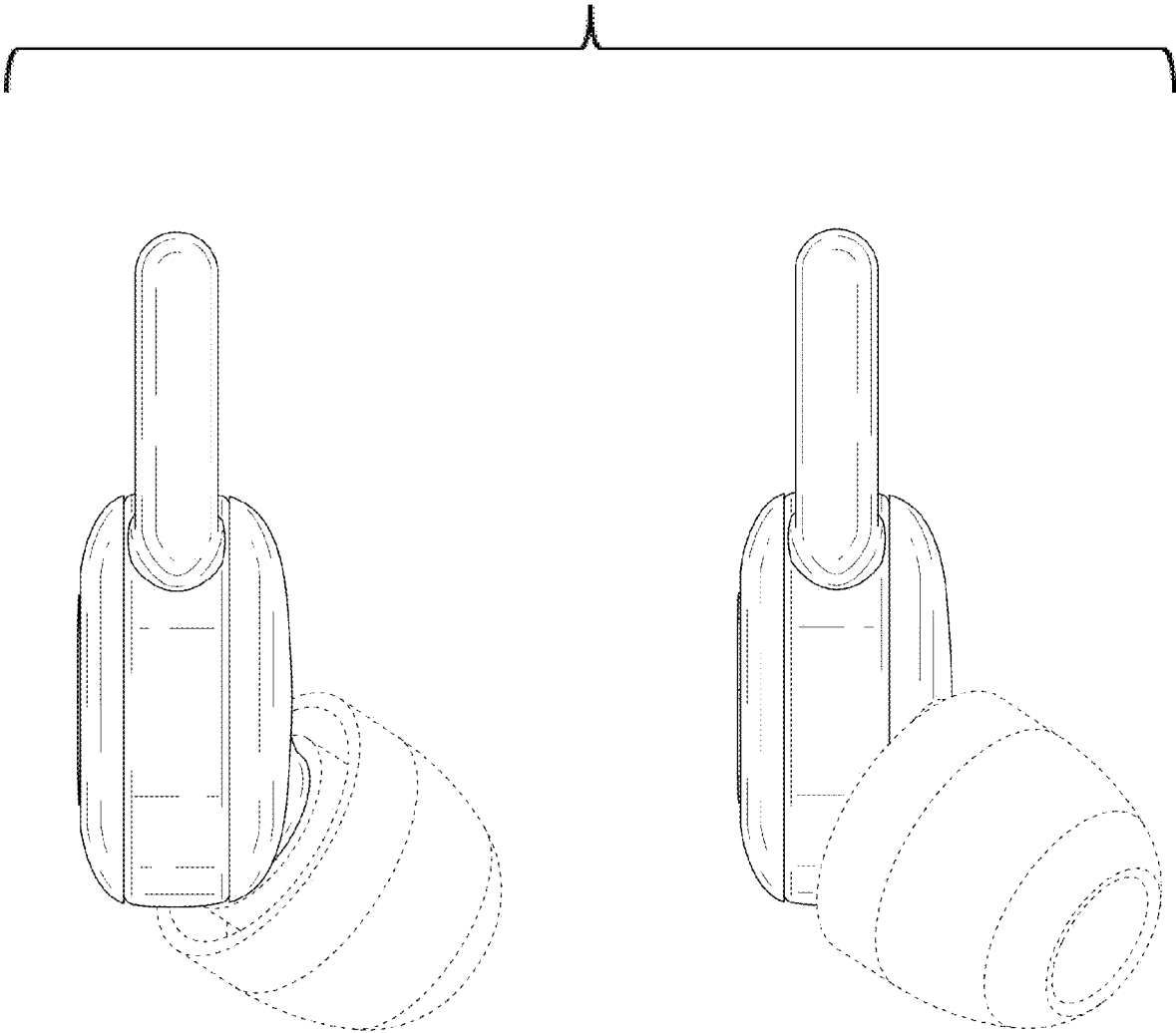


FIG. 26

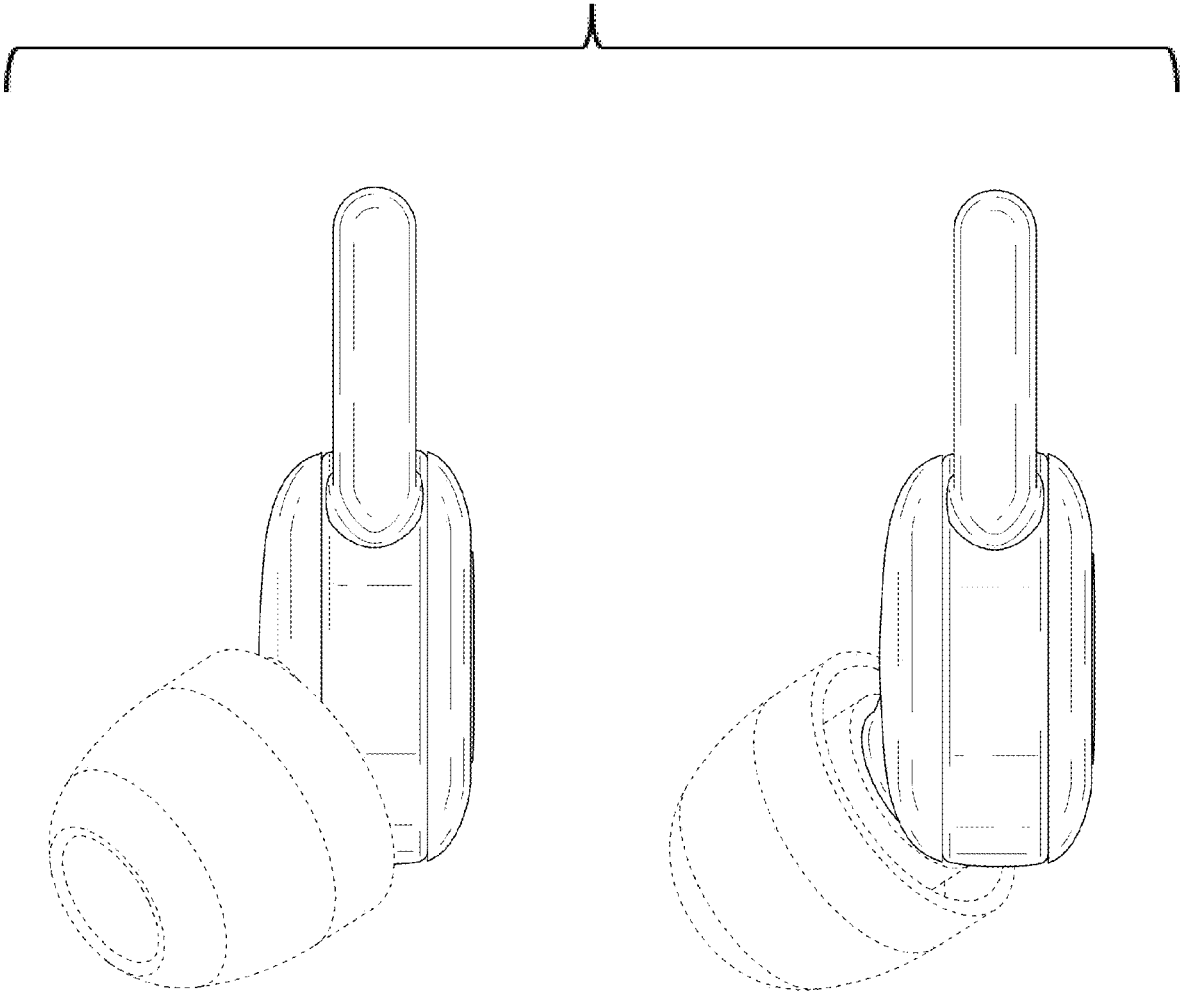


FIG. 27

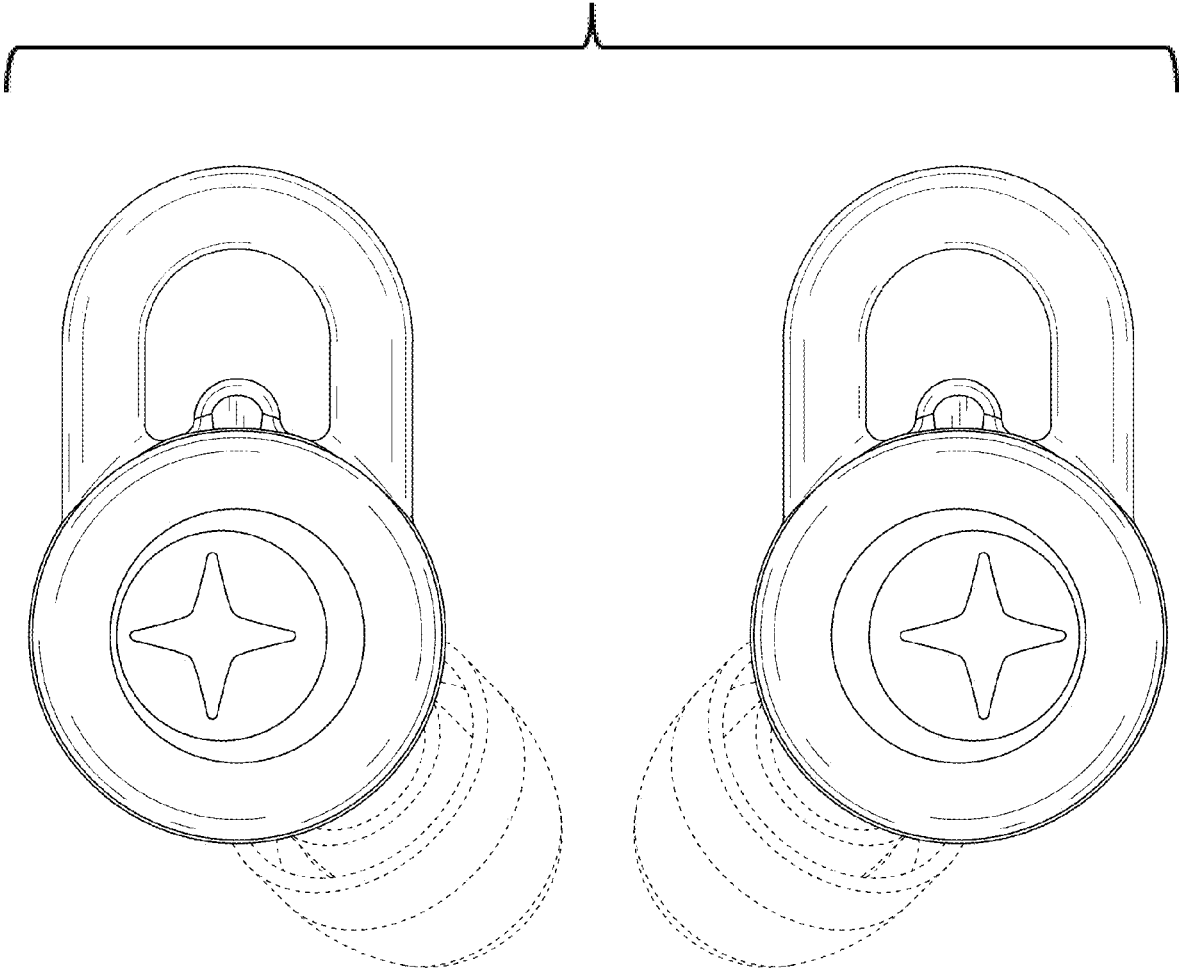


FIG. 28

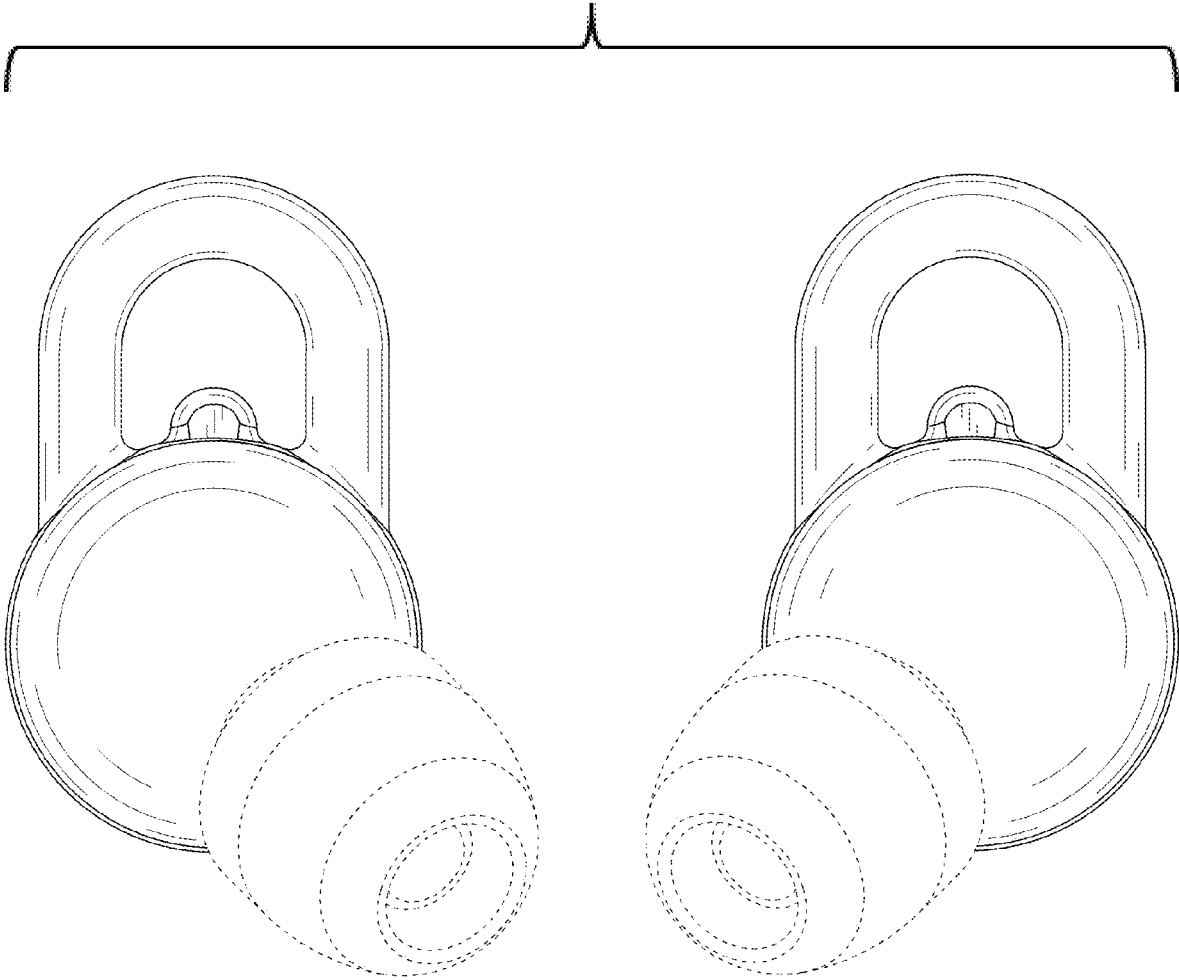


FIG. 29

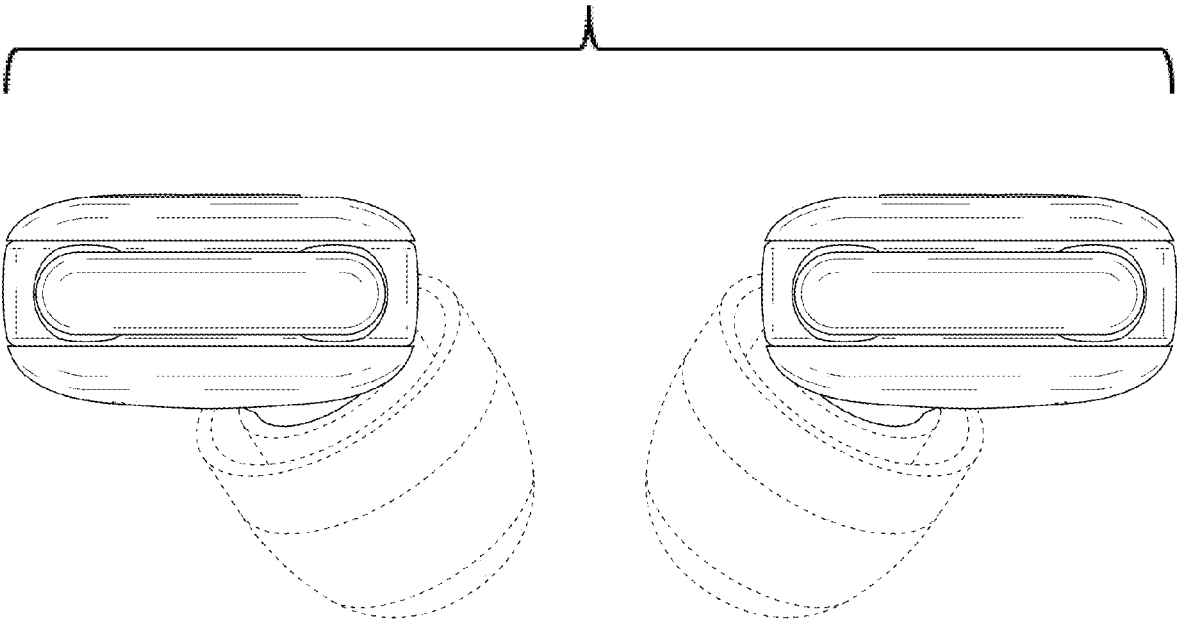


FIG. 30

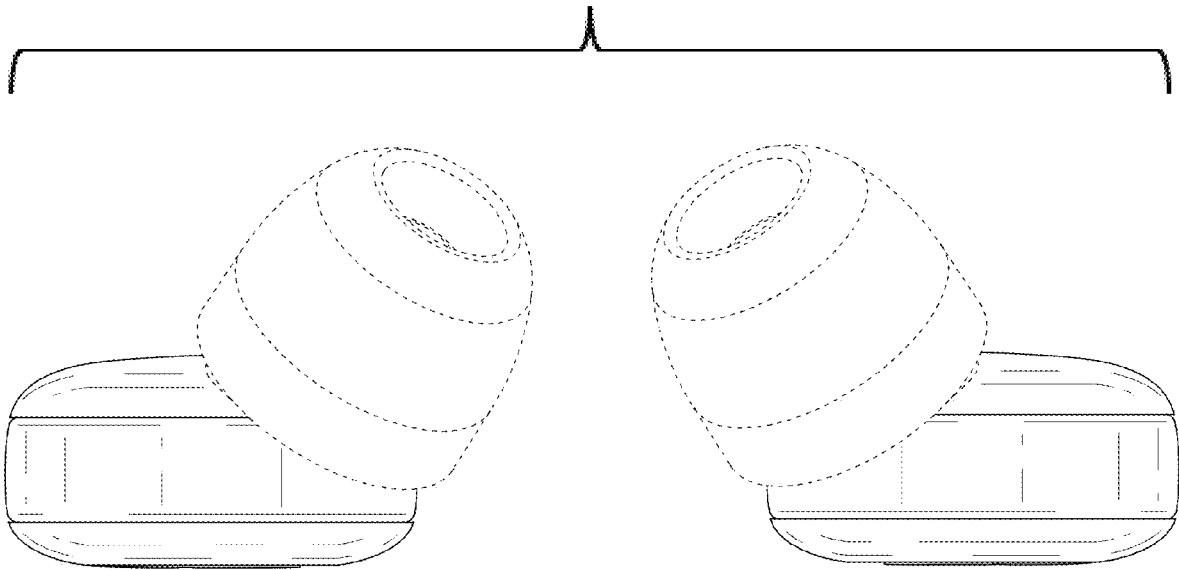


FIG. 31

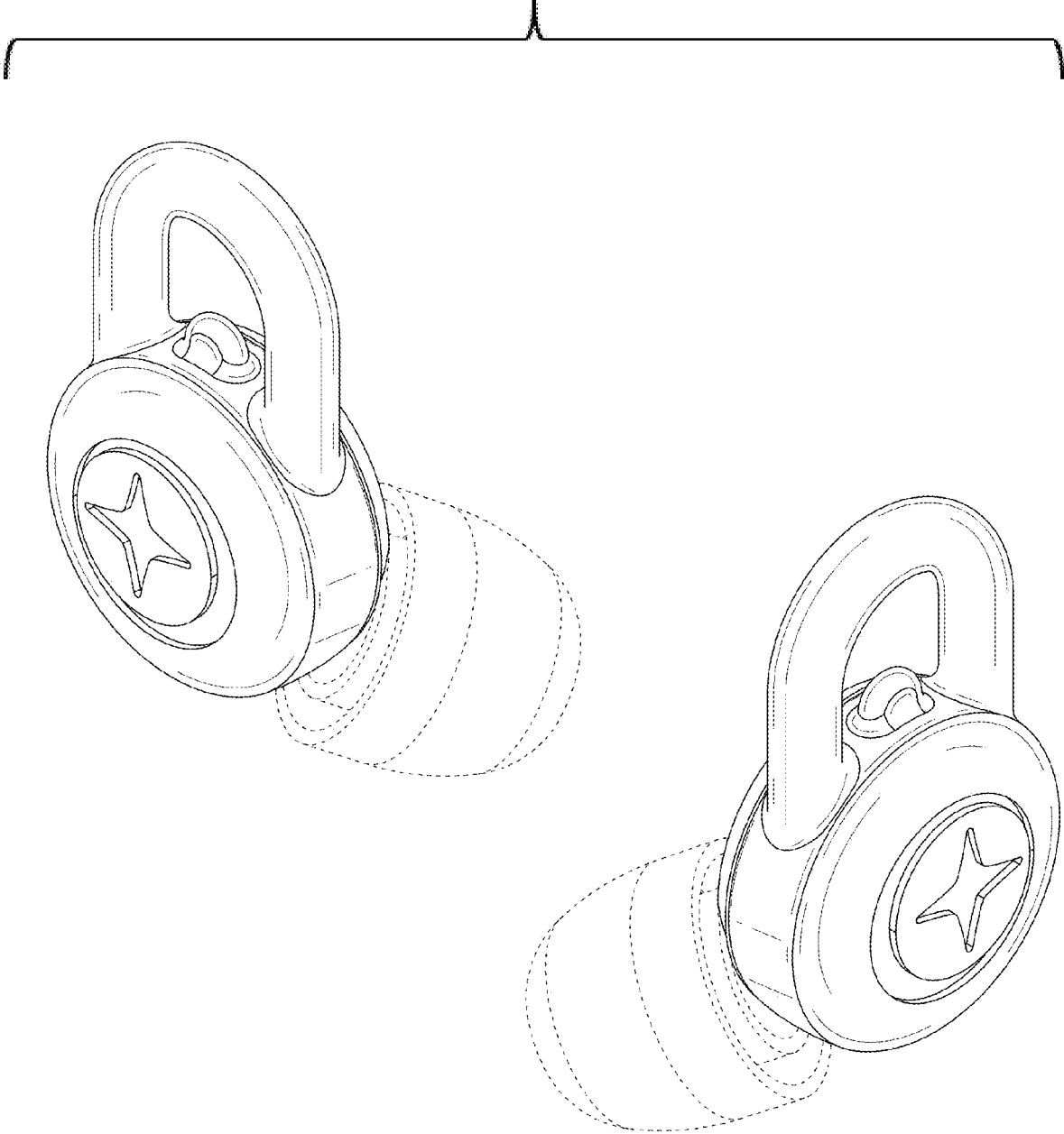


FIG. 32

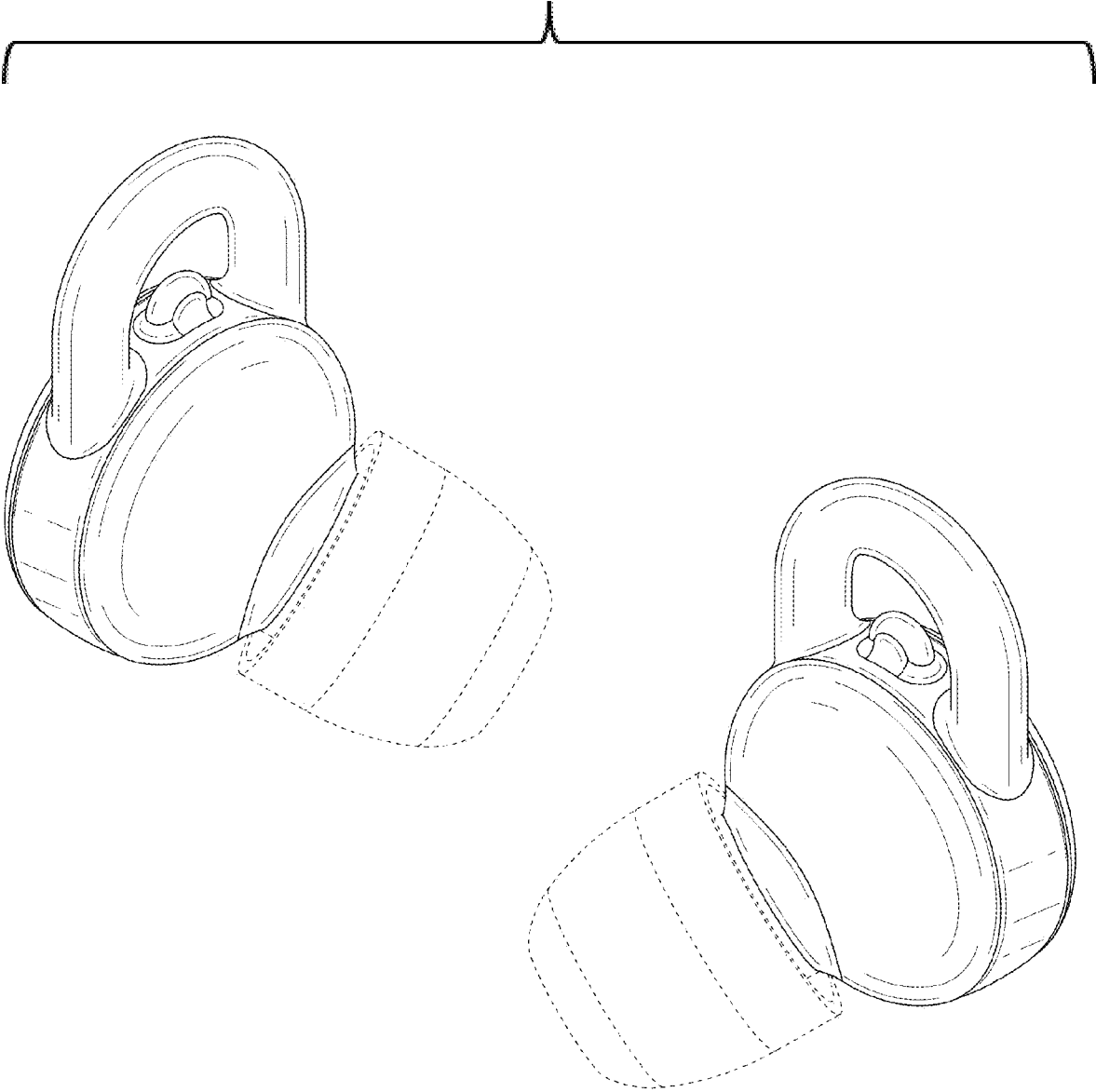


FIG. 33

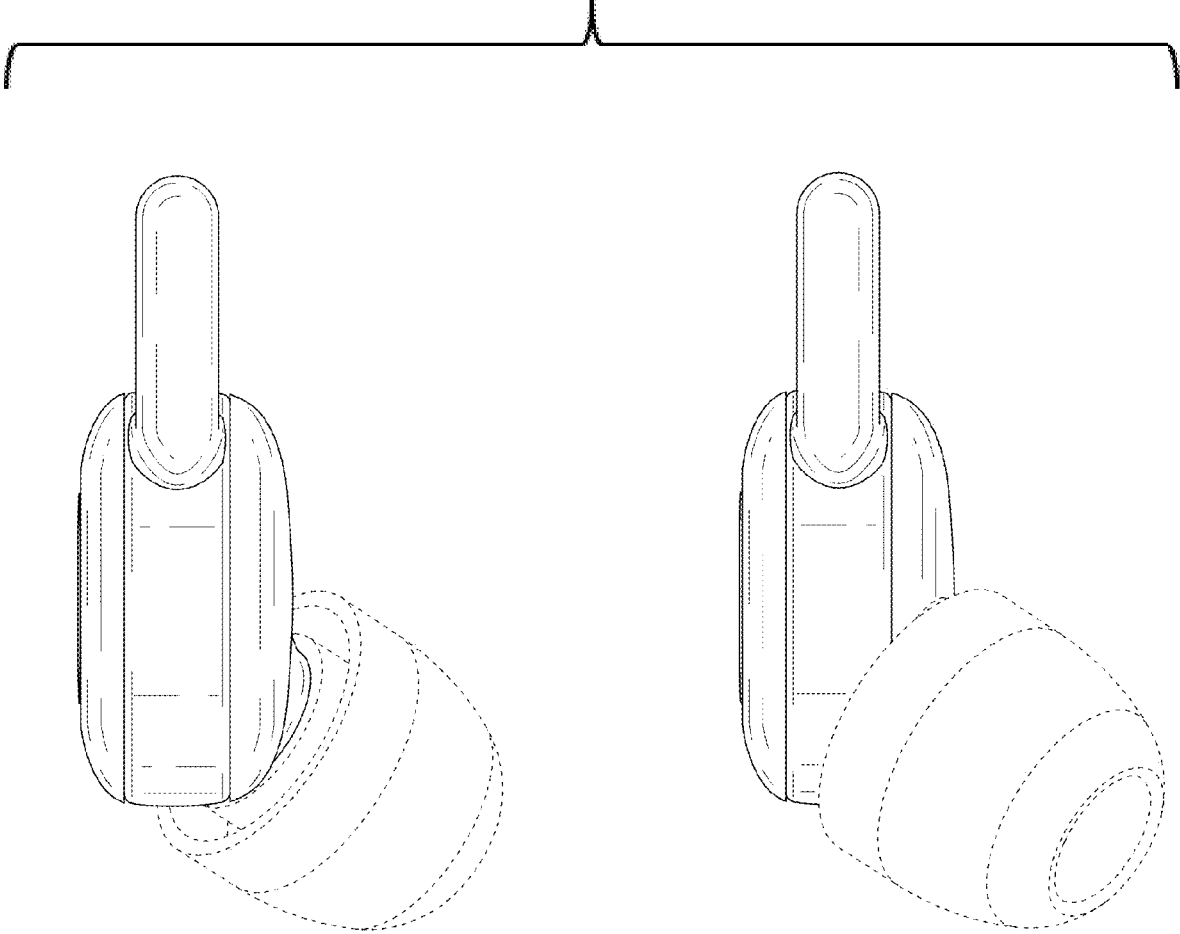


FIG. 34

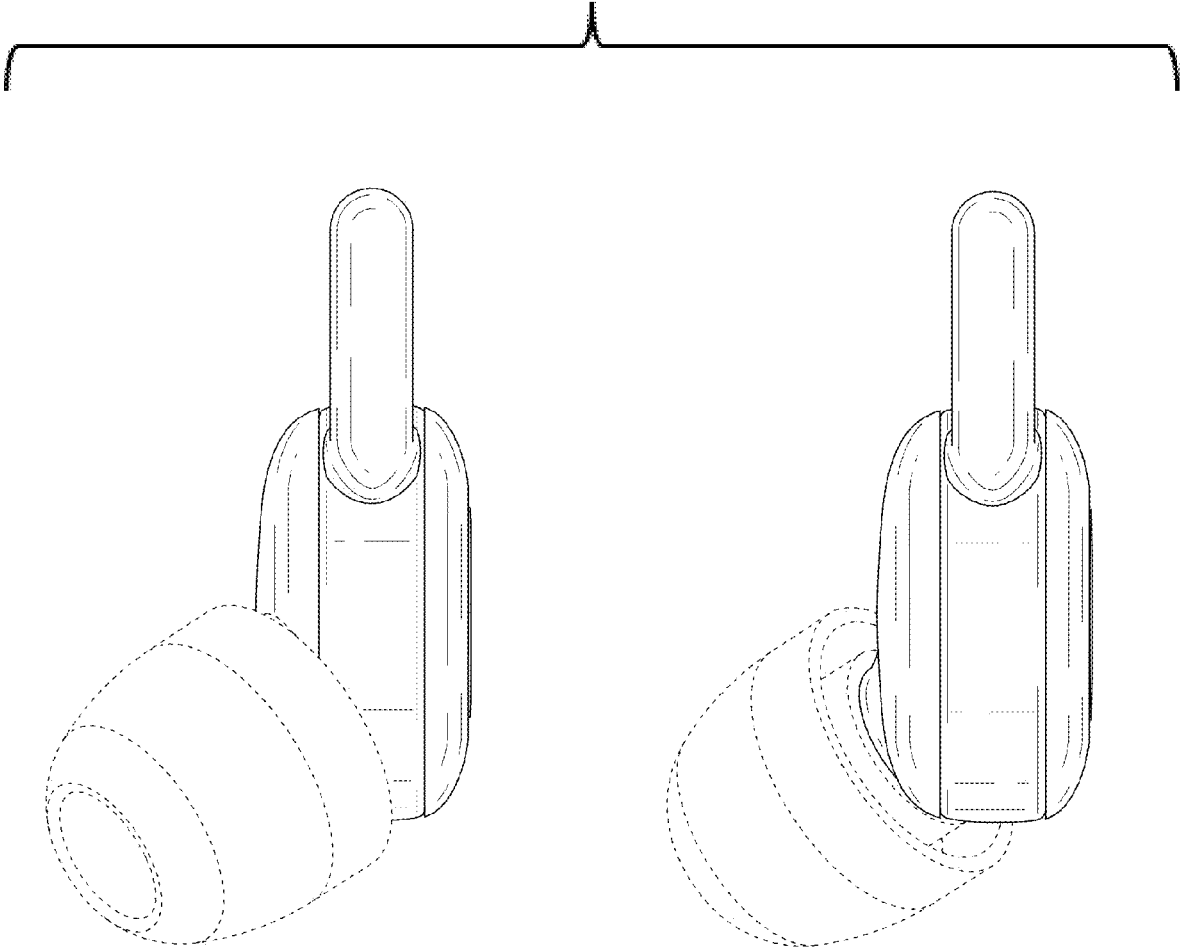


FIG. 35

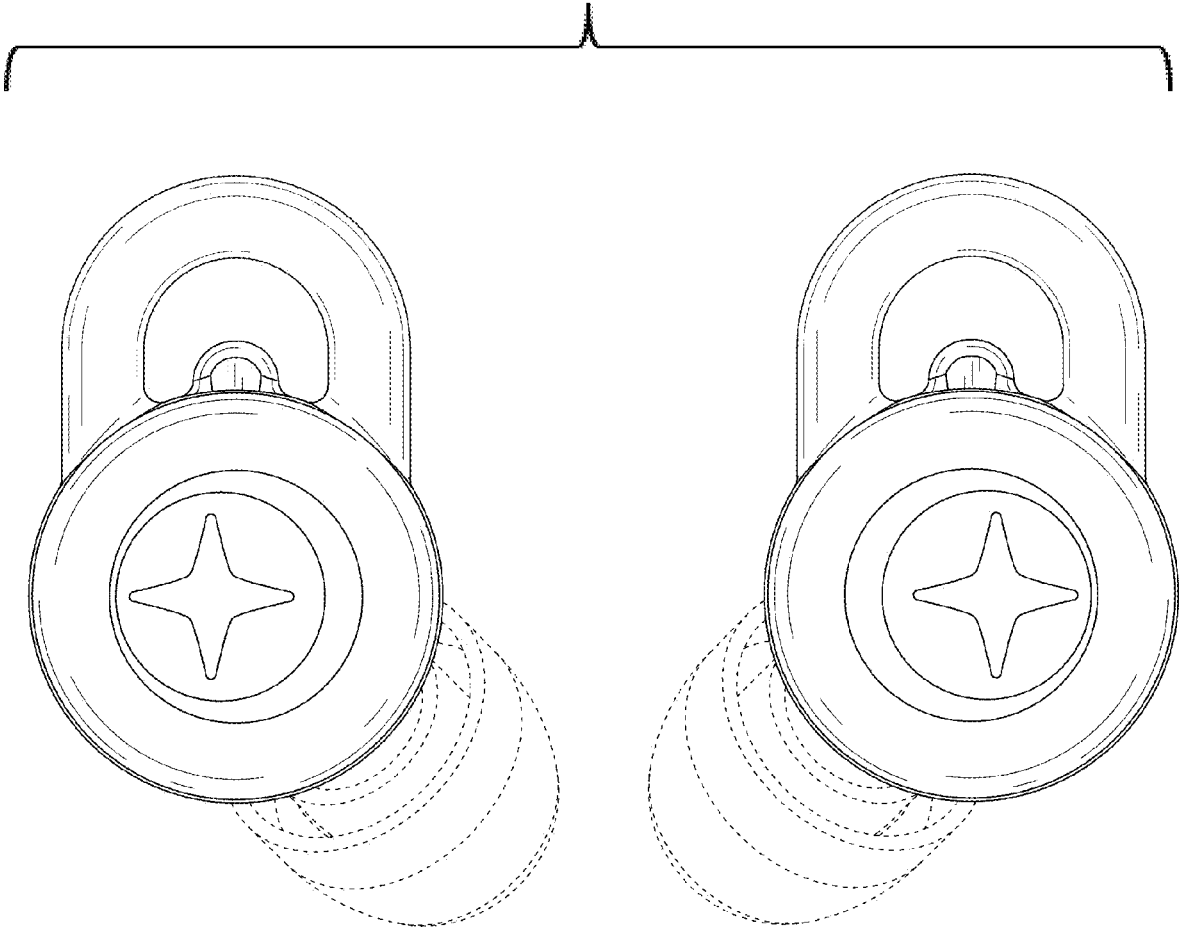


FIG. 36

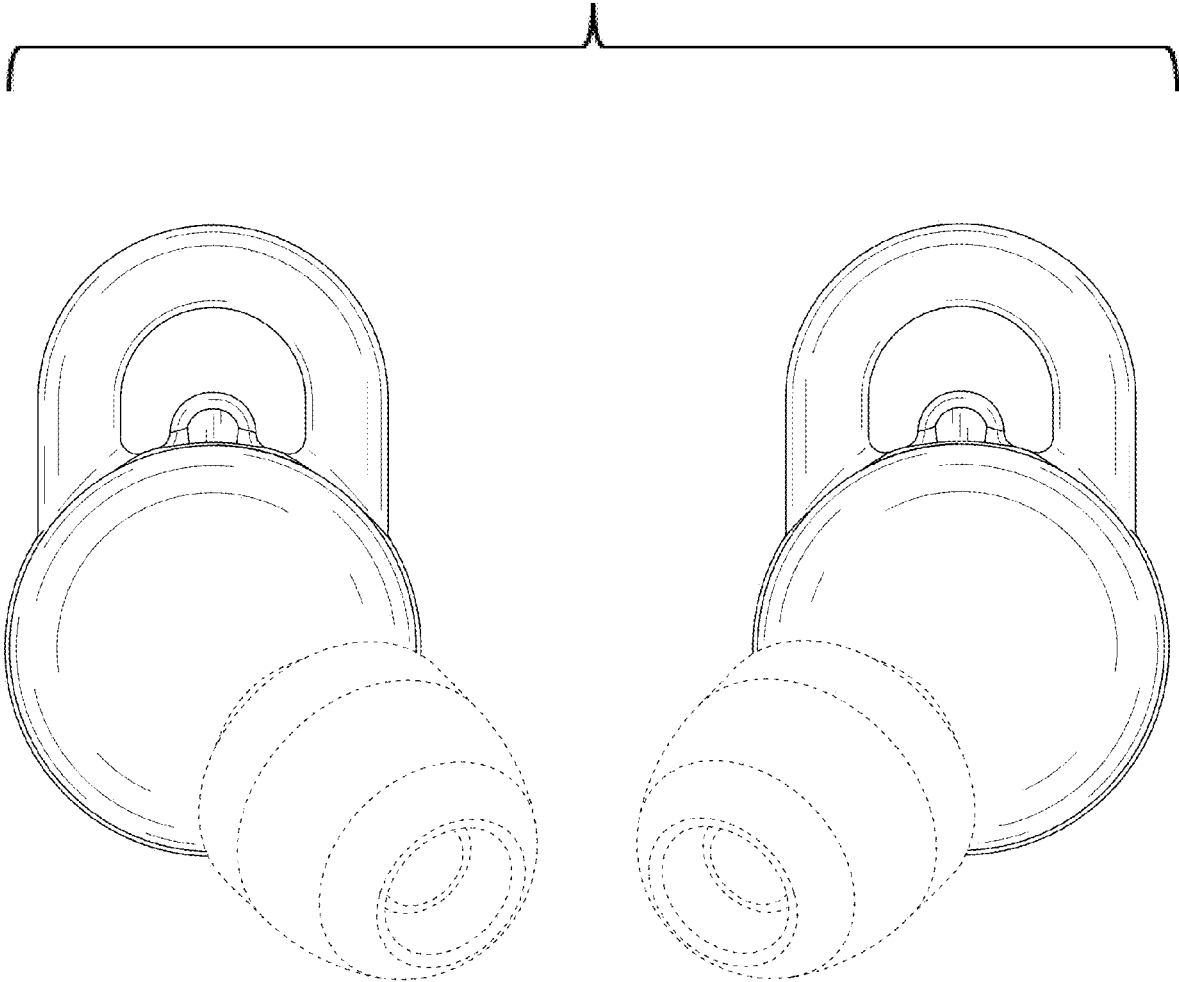


FIG. 37

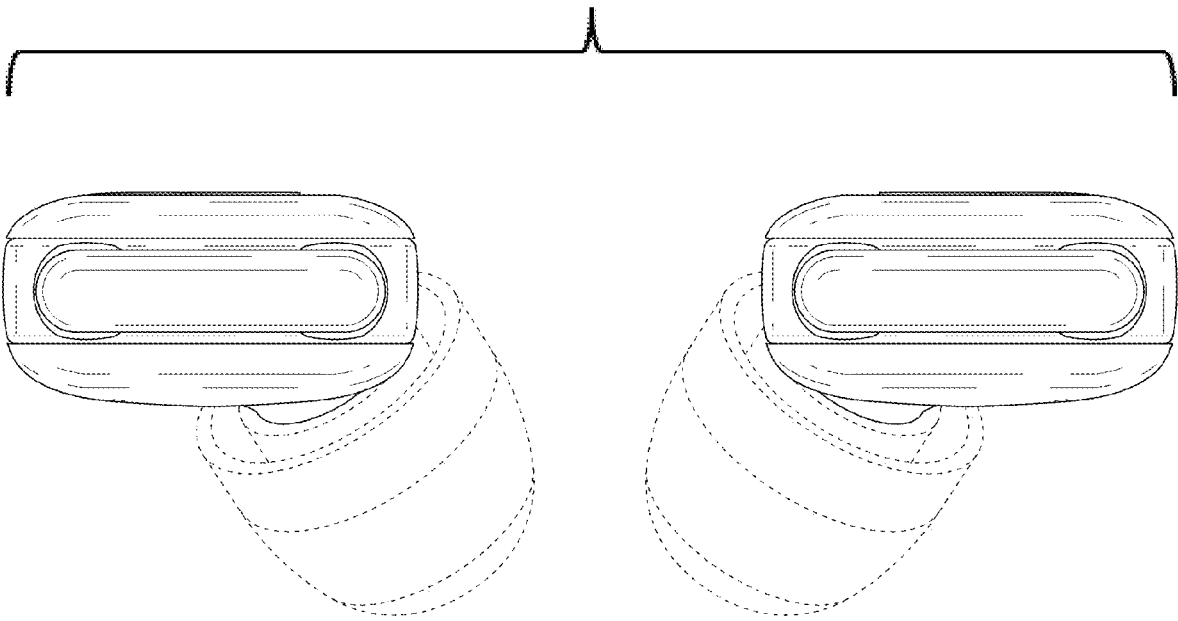


FIG. 38

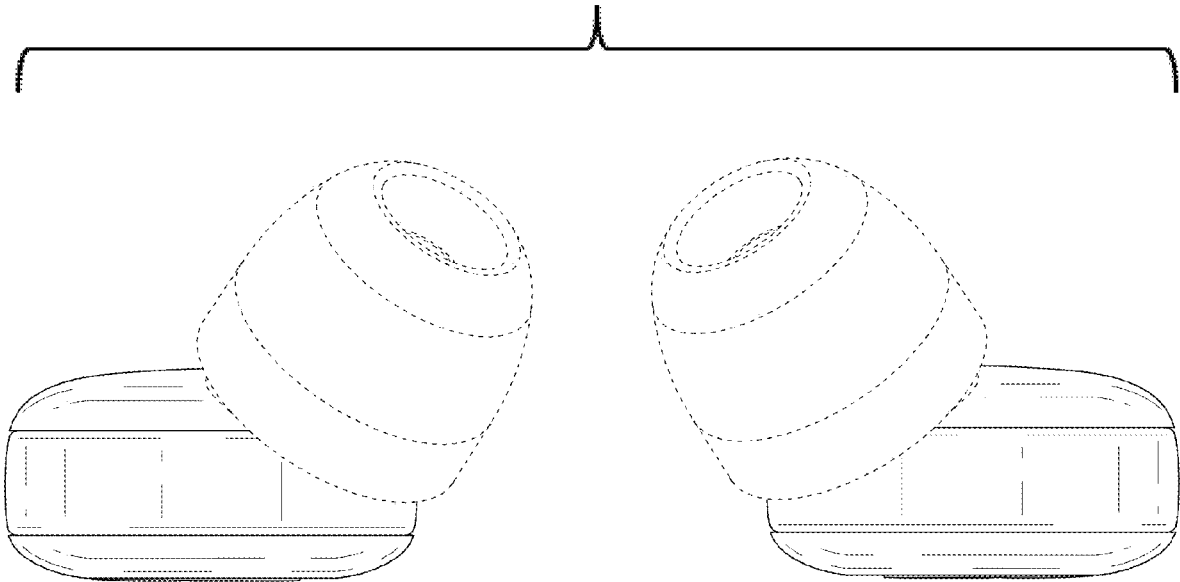


FIG. 39

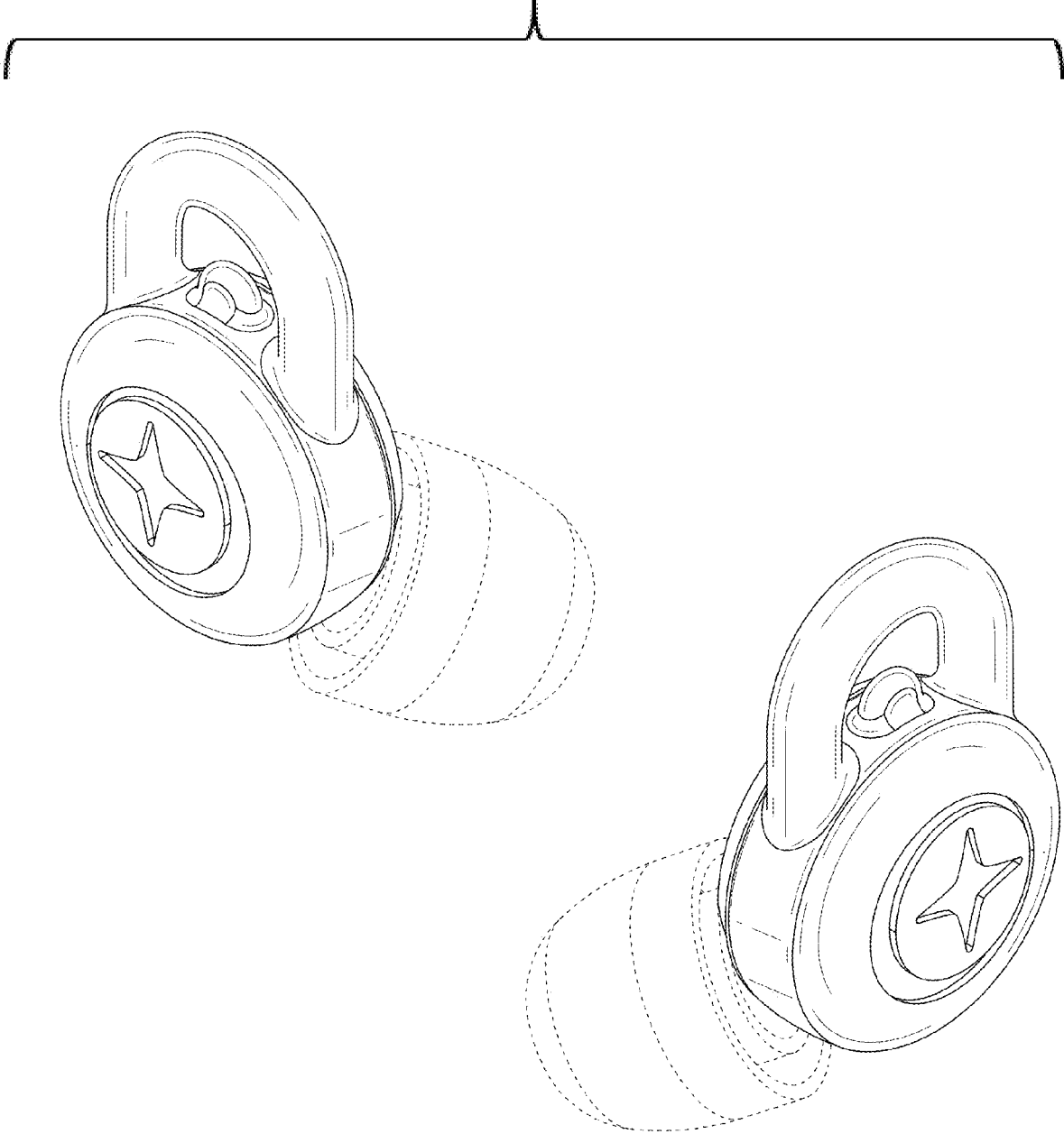


FIG. 40