



US0D1016589S

(12) **United States Design Patent**
Baig

(10) **Patent No.:** **US D1,016,589 S**

(45) **Date of Patent:** **** Mar. 5, 2024**

(54) **KNIFE SHARPENER CASING**
(71) Applicant: **Salma Baig**, Fremont, CA (US)
(72) Inventor: **Salma Baig**, Fremont, CA (US)
(**) Term: **15 Years**

D640,909 S * 7/2011 Stutz D8/93
D680,846 S * 4/2013 Smith D8/93
D763,650 S * 8/2016 Severinson D8/93
D773,913 S * 12/2016 Severinson D8/93
D894,710 S * 9/2020 Li D8/93
D924,652 S * 7/2021 Guo D8/93
D962,033 S * 8/2022 Li D8/93
D990,276 S * 6/2023 Chen D8/93

(21) Appl. No.: **29/833,894**

* cited by examiner

(22) Filed: **Apr. 7, 2022**

Primary Examiner — Philip S Hyder

(51) **LOC (14) Cl.** **08-05**

(74) *Attorney, Agent, or Firm* — Alexander Postnikov

(52) **U.S. Cl.** **D8/93**
USPC **D8/93**

(57) **CLAIM**

The ornamental design for a knife sharpener casing, as shown.

(58) **Field of Classification Search**
USPC D8/63, 91, 92, 93
CPC B24B 3/54; B24B 3/36; B24B 3/58; B24B 3/00; B24B 23/08; B24D 15/00; B24D 15/06; B24D 15/063; B24D 15/08; B24D 15/081
See application file for complete search history.

DESCRIPTION

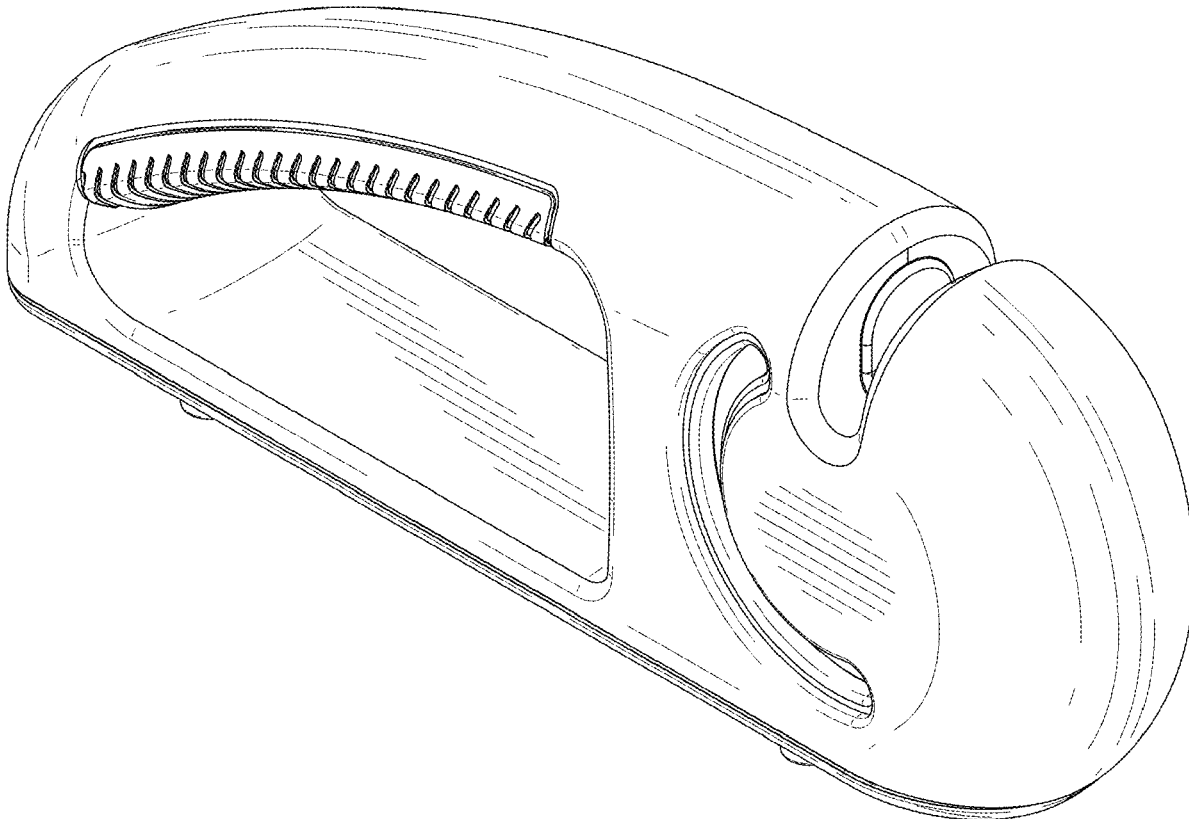
FIG. 1 is a front right top perspective view of a knife sharpener casing showing my new design;
FIG. 2 is a front view thereof;
FIG. 3 is a back view thereof;
FIG. 4 is a left-side view thereof;
FIG. 5 is a right-side view thereof;
FIG. 6 is a top view thereof;
FIG. 7 is a bottom view thereof;
FIG. 8 is a front top view thereof; and,
FIG. 9 is a front bottom view thereof.

(56) **References Cited**

U.S. PATENT DOCUMENTS

D624,799 S * 10/2010 De Bretton Gordon D8/93
D626,397 S * 11/2010 Smith D8/93
D640,523 S * 6/2011 Stutz D8/93

1 Claim, 9 Drawing Sheets



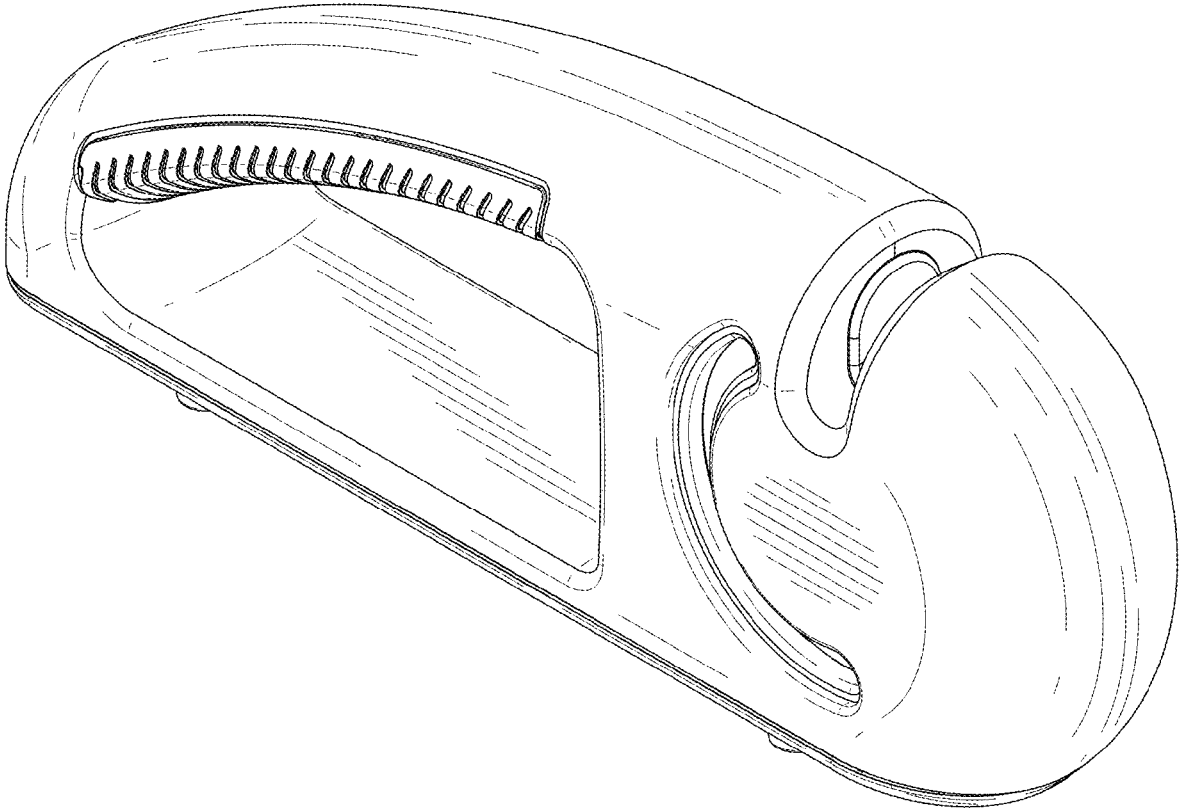


FIG. 1

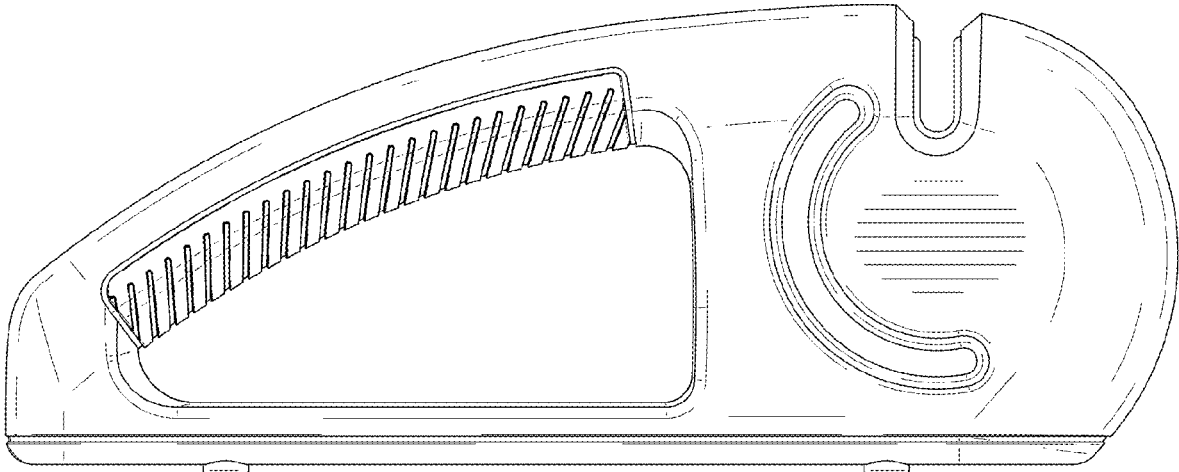


FIG. 2

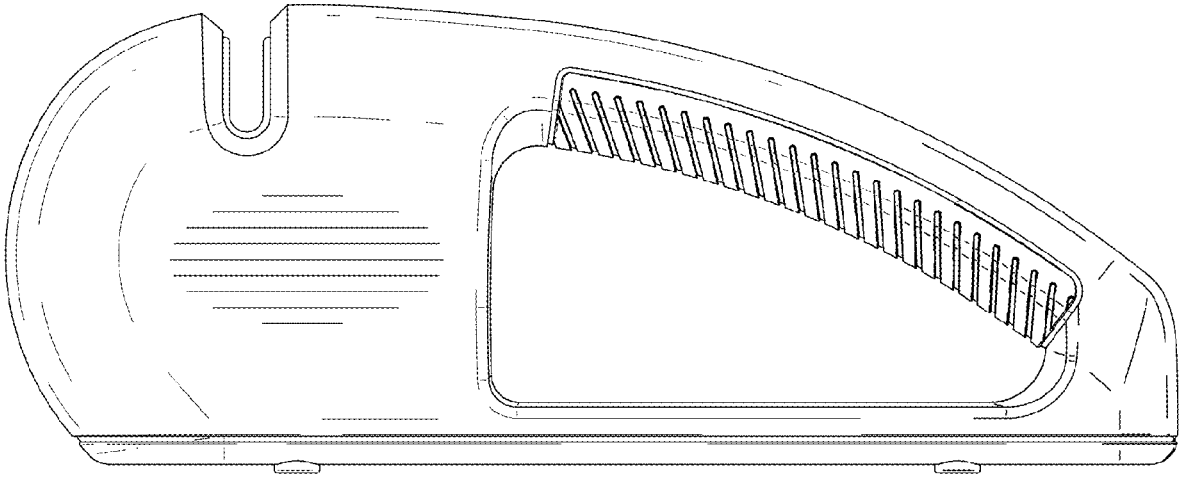


FIG. 3

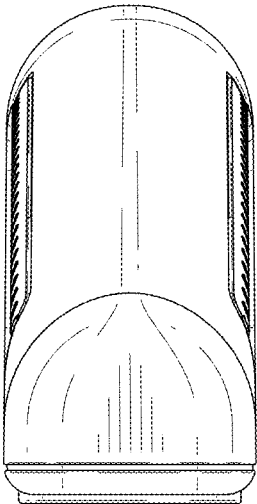


FIG. 4

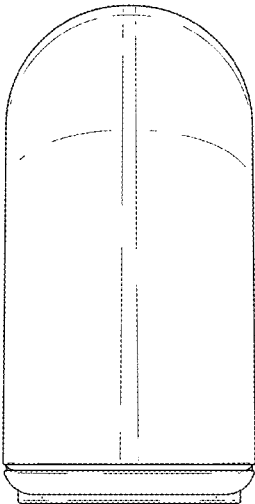


FIG. 5

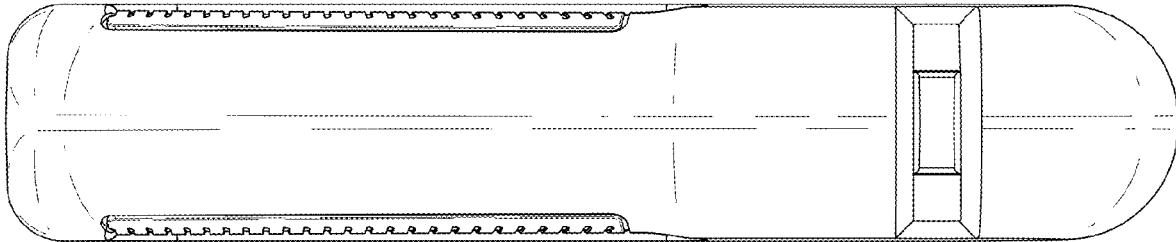


FIG. 6

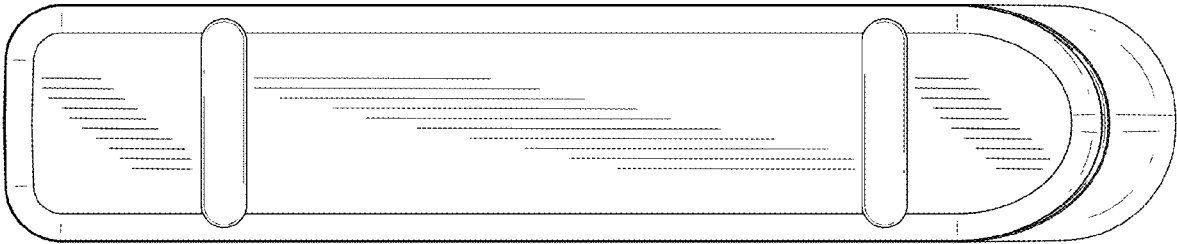


FIG. 7

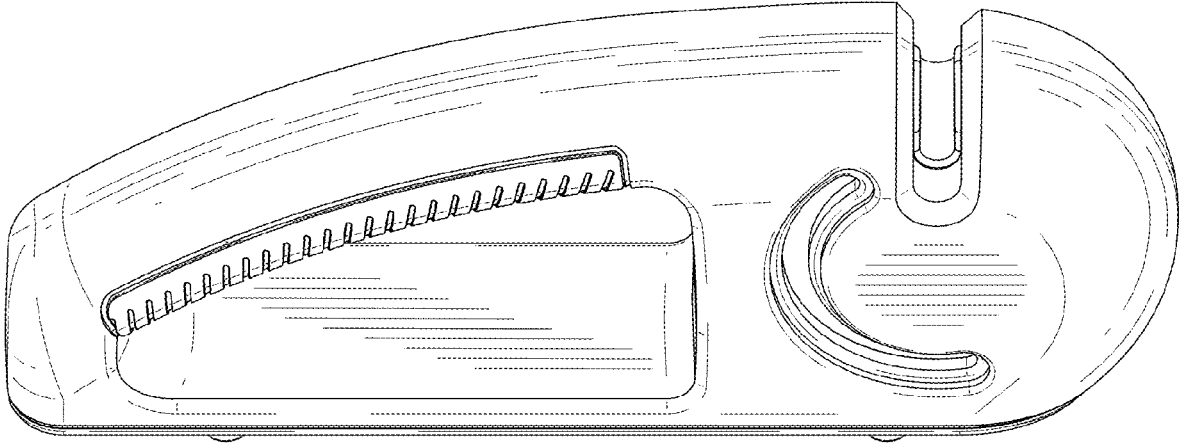


FIG. 8

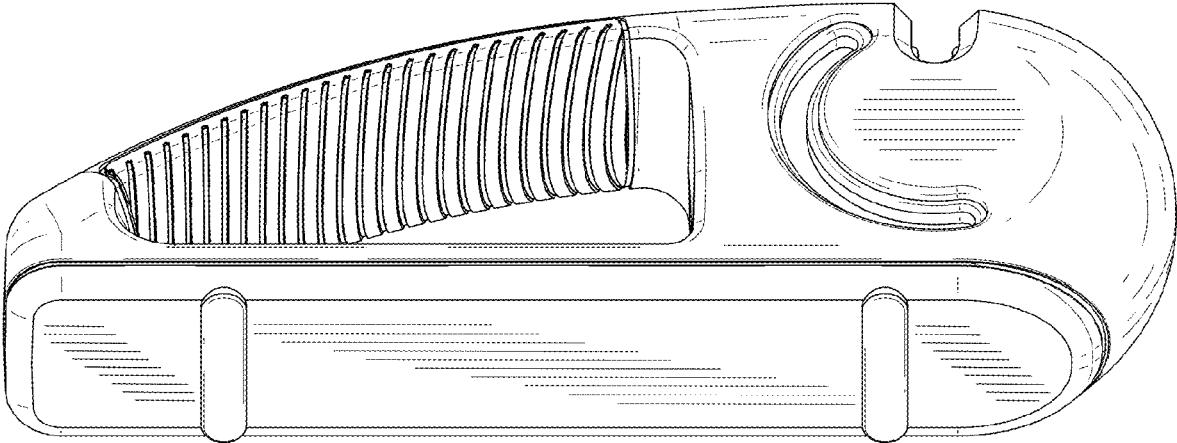


FIG. 9